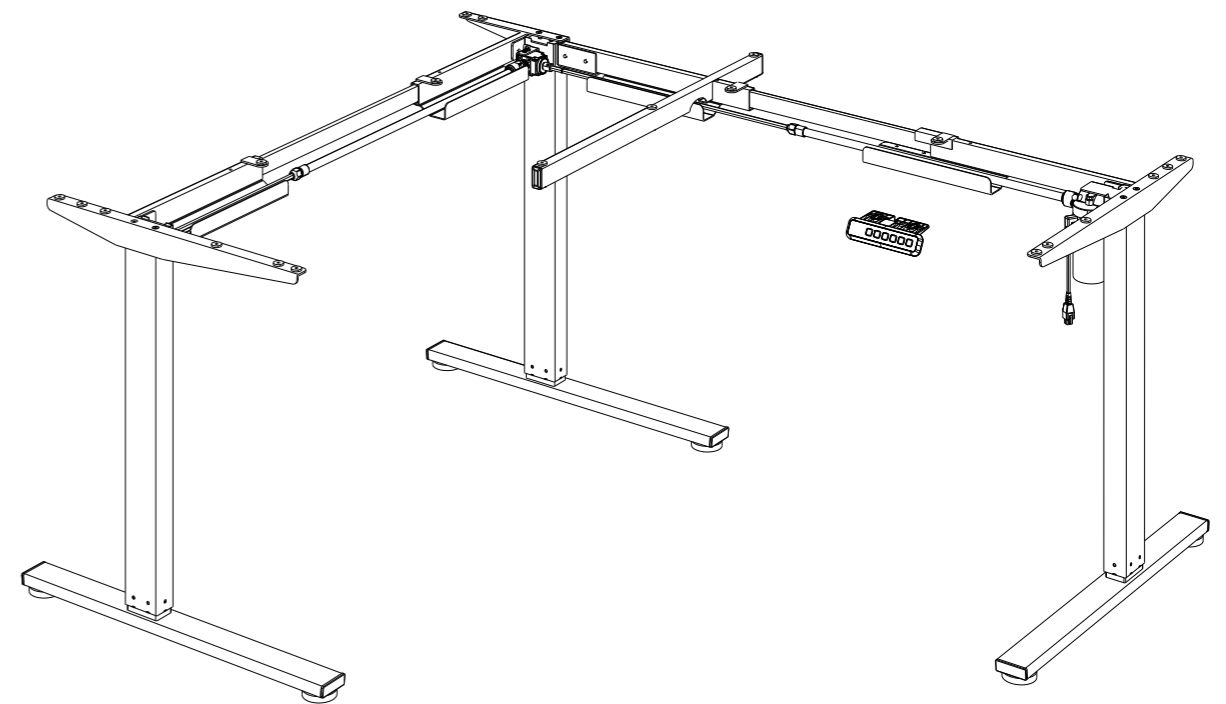


FlexiSpot

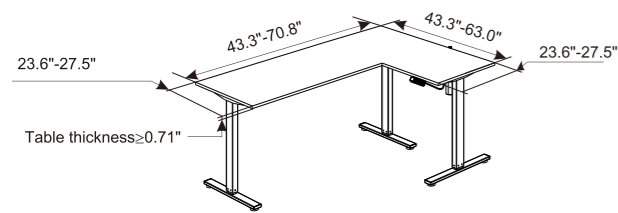
Item No. E2LB-V3/E2LW-V3
User Manual



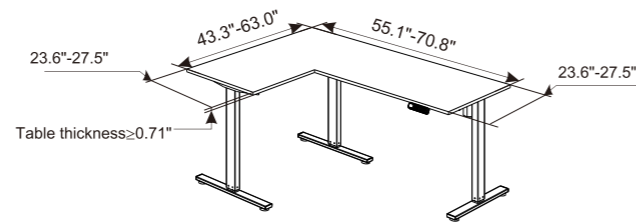
Specifications

Lifting Columns	2
Max. Load Capacity	220 lbs (100 KG)
Max Speed	0.79"/s (20 mm/s)
Maximum height	45.8" (1165 mm)
Lowest height	28.3" (720 mm)

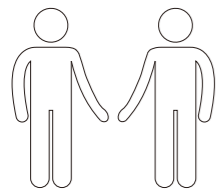
Option A



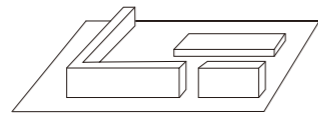
Option B



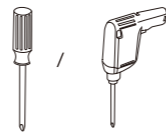
Assembly Notes



Cooperative assembly



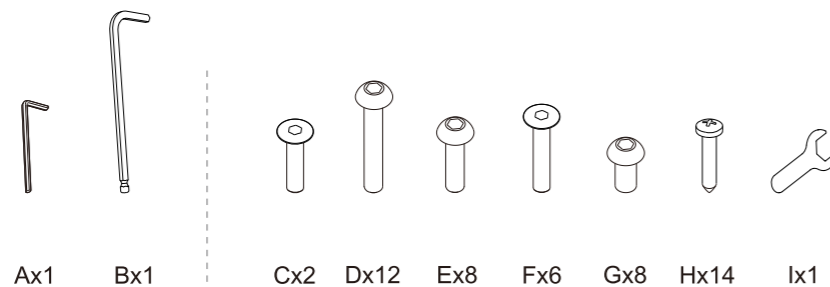
Assemble on carpet to prevent scratches



Phillips screwdriver or drill required (not provided)

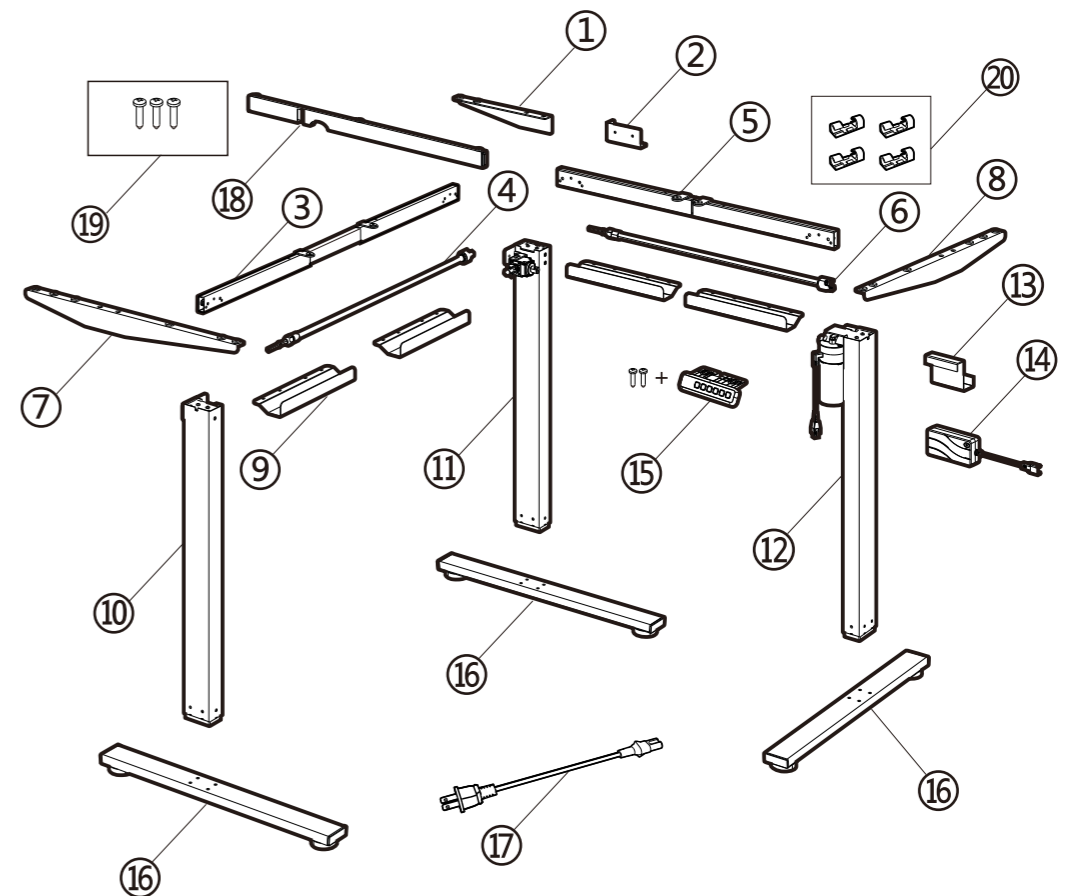
Product List

Note: The following line drawings are for reference only and in some cases may be different from the actual part; please refer to the actual part. If you find missing parts or have installation problems, please contact customer service.

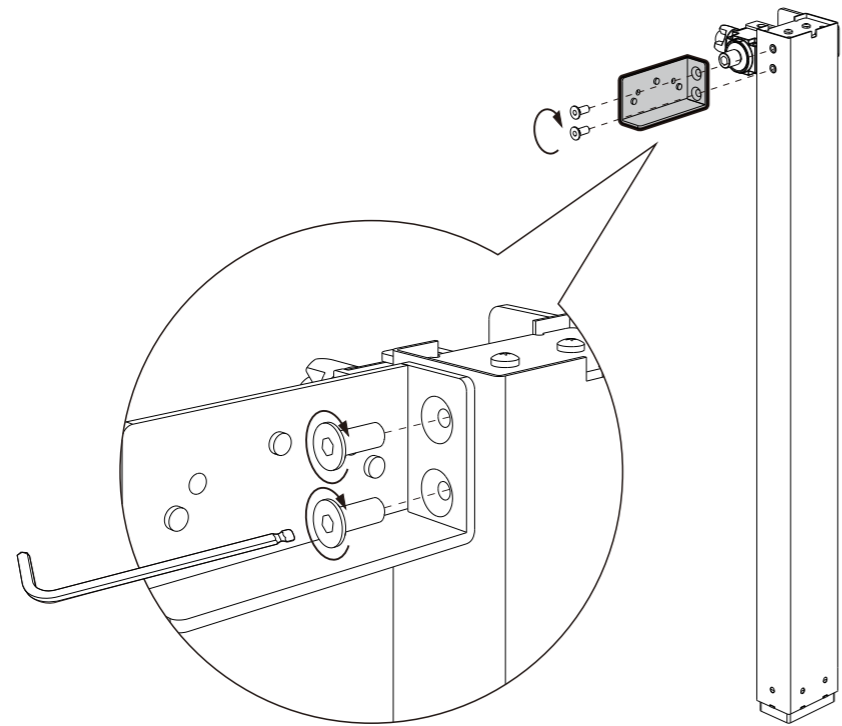


Parts Included

①	Short support plate x 1		⑪	Middle column x 1	
②	Middle column connecting joining plate x 1		⑫	Right column x 1	
③	Long crossbeam x 1		⑬	Adaptor holder x 1	
④	Long drive rod x 1		⑭	Adaptor x 1	
⑤	Short crossbeam x 1		⑮	Controller x 1	
⑥	Short drive rod x 1		⑯	Deskfeet x 1	
⑦	Long support plate x 2		⑰	Power cord x 1	
⑧	Right support plate x 1		⑱	Support tube screws x 3	
⑨	Baffle x 4		⑳	Cable management tie x 4	
⑩	Left column x 1				



01 Install middle column connecting joining plate

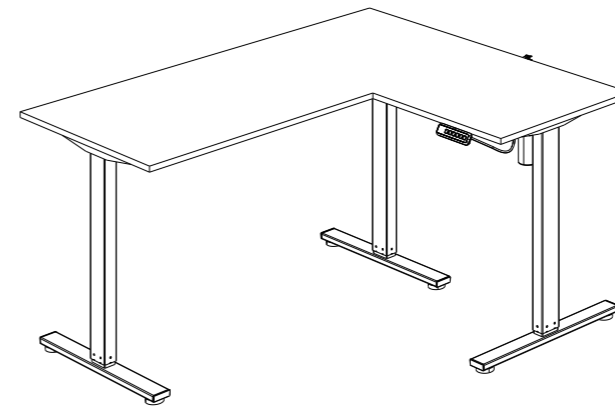


- B x1
- C x2

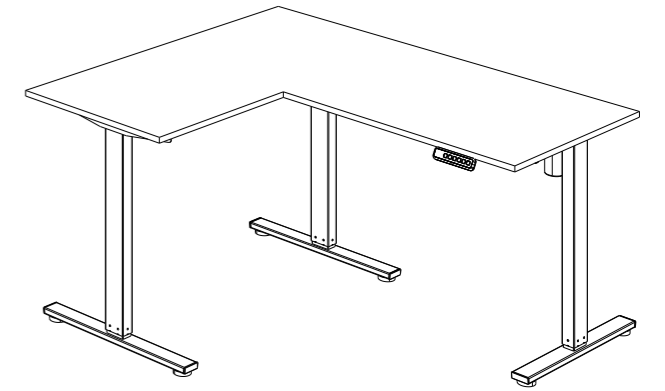


This product varies in assembly steps depending on the assembly method. Steps 3 and beyond will differ accordingly. For Option A, refer to steps A-3 through A-18; for Option B, refer to steps B-3 through B-18, reflecting the different assembly outcomes.

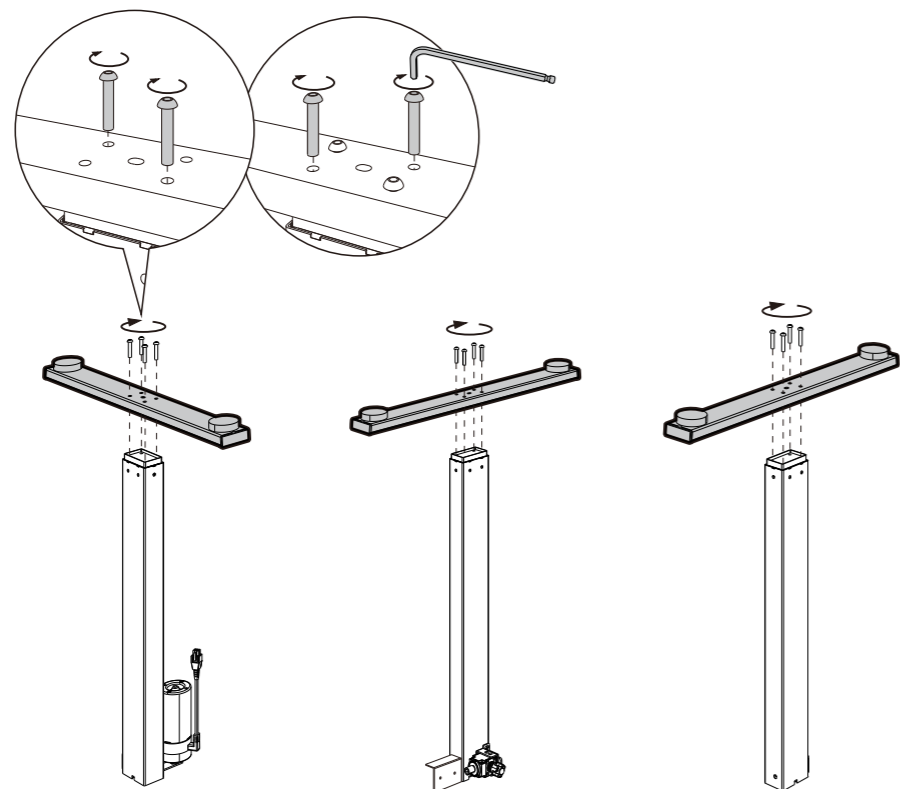
Option A:
Pages P4-P13



Option B:
Pages P13-P22

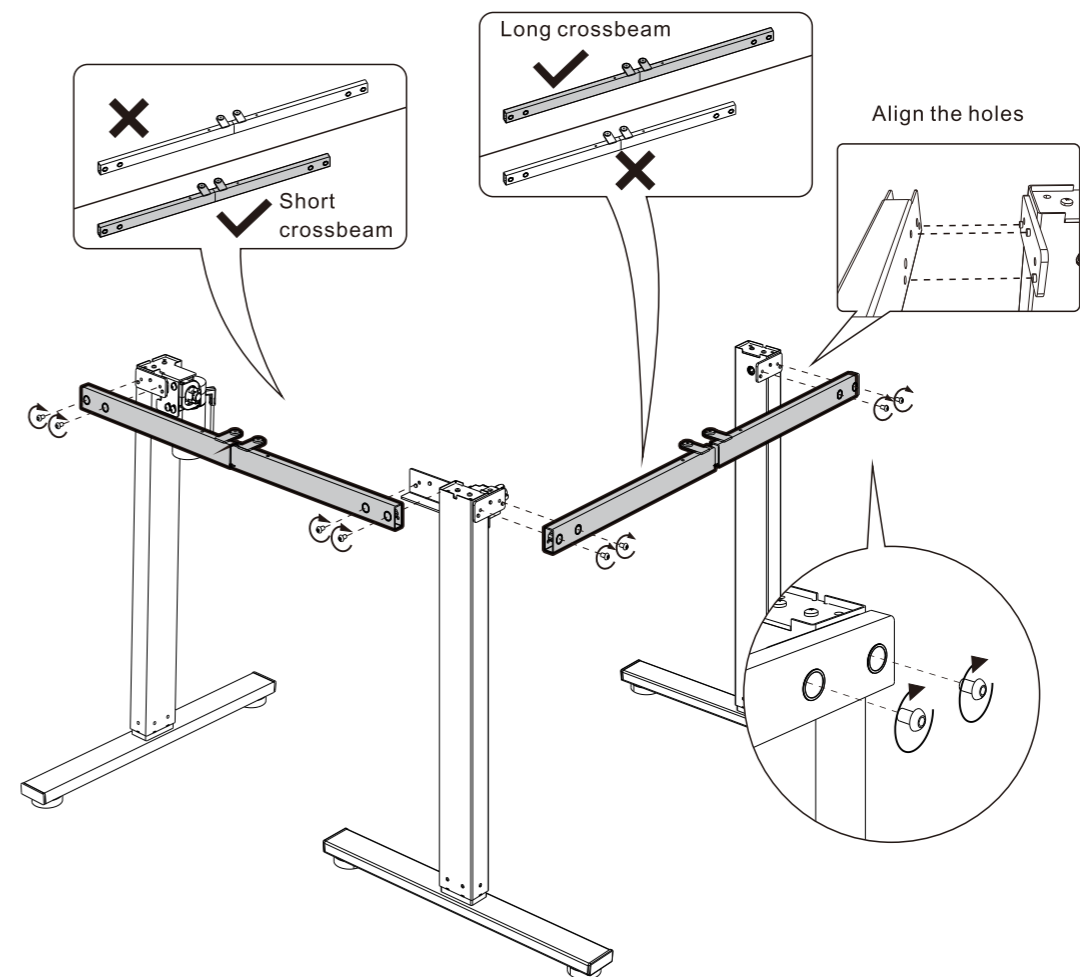


02 Install the desk feet



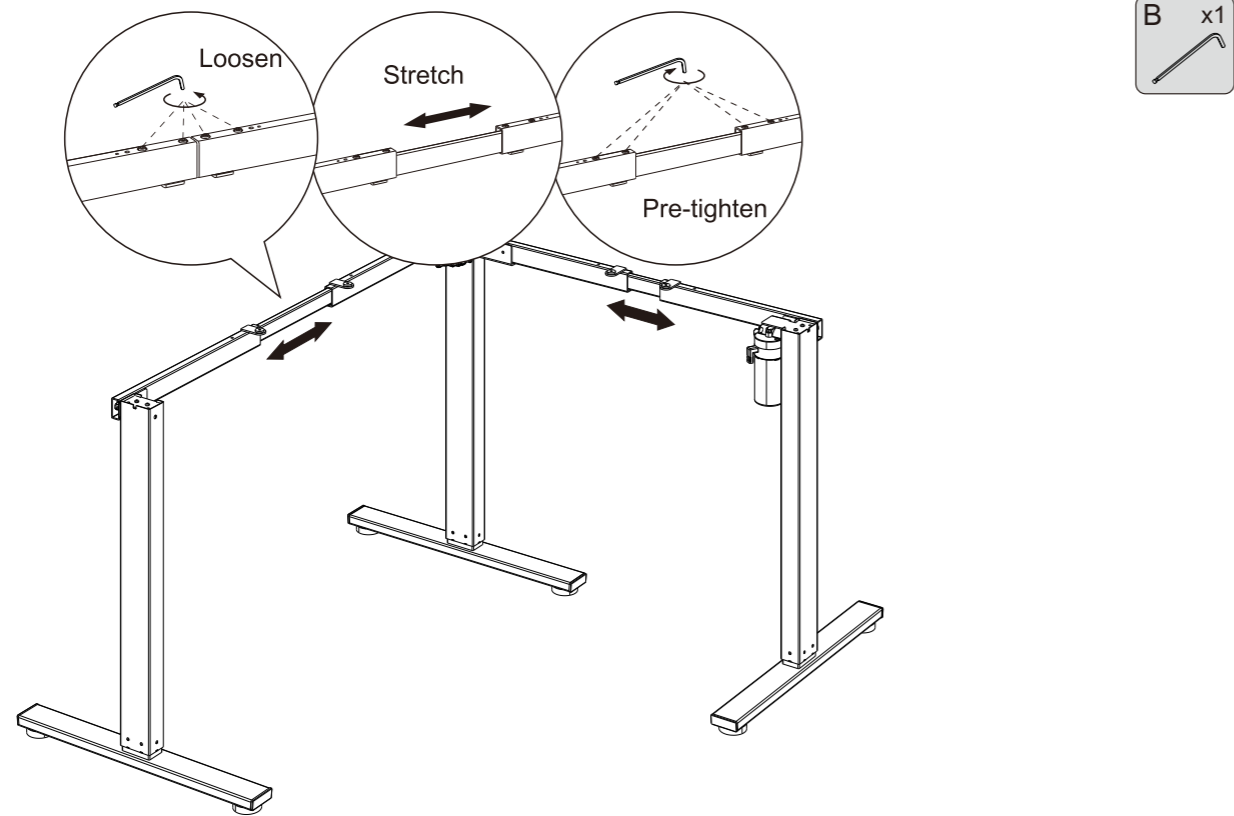
- B x1
- D x12

A-3 Install the crossbeam

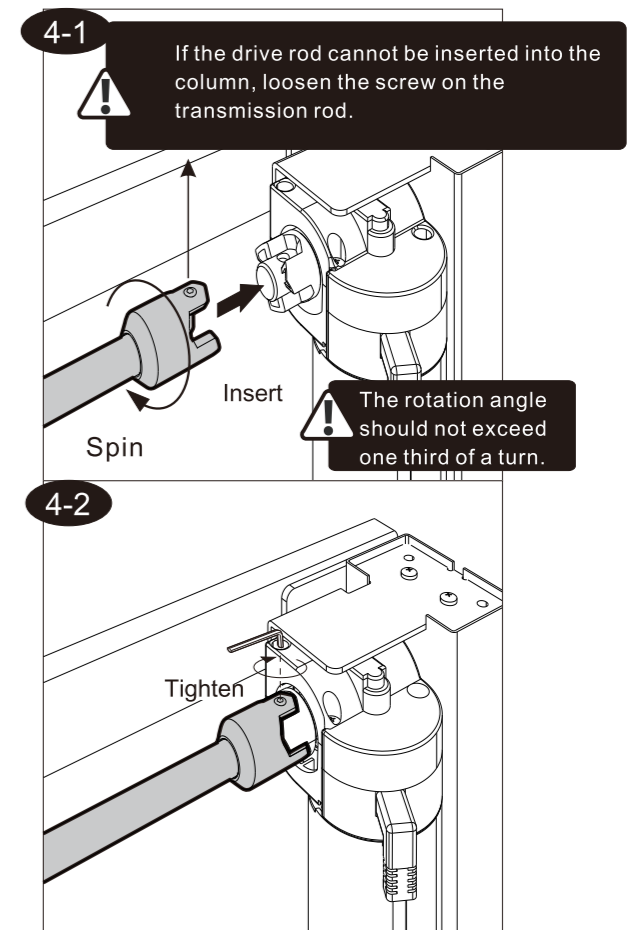
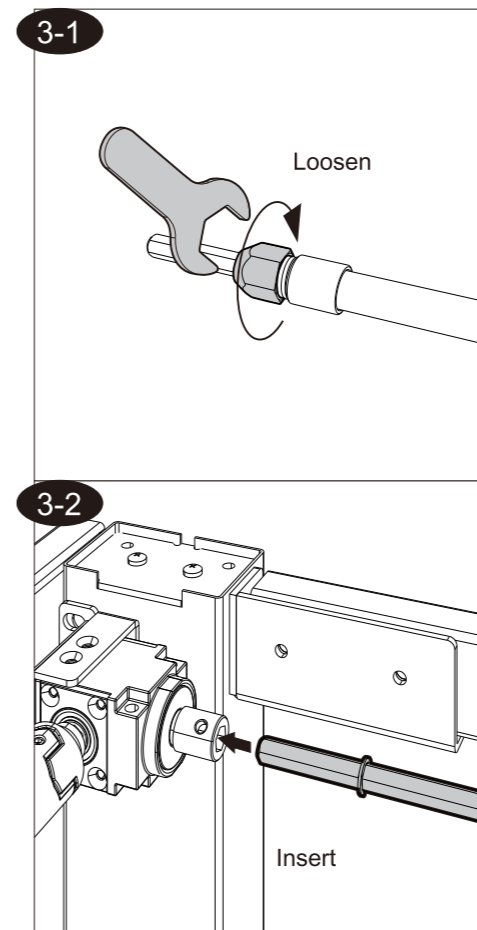
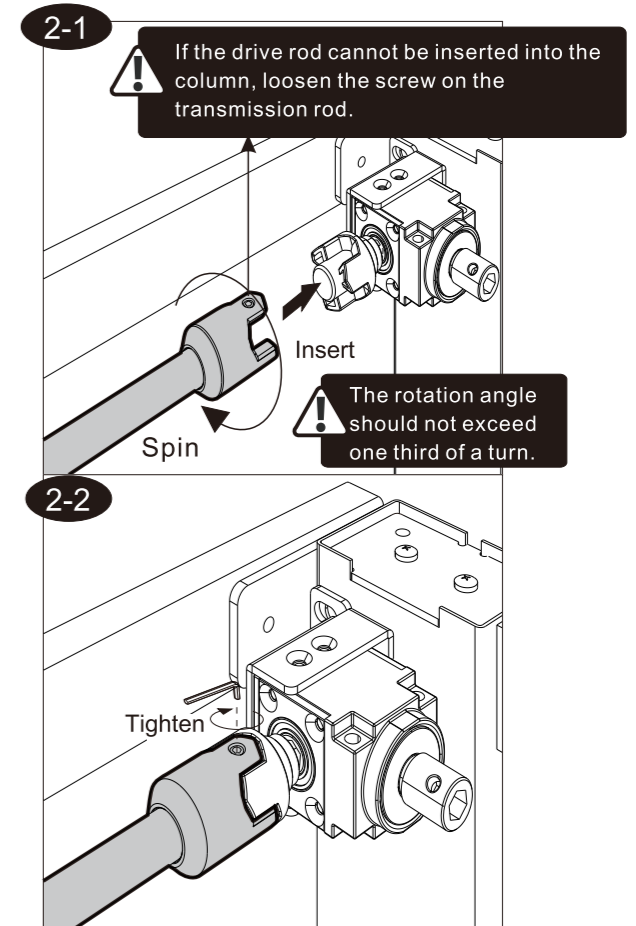
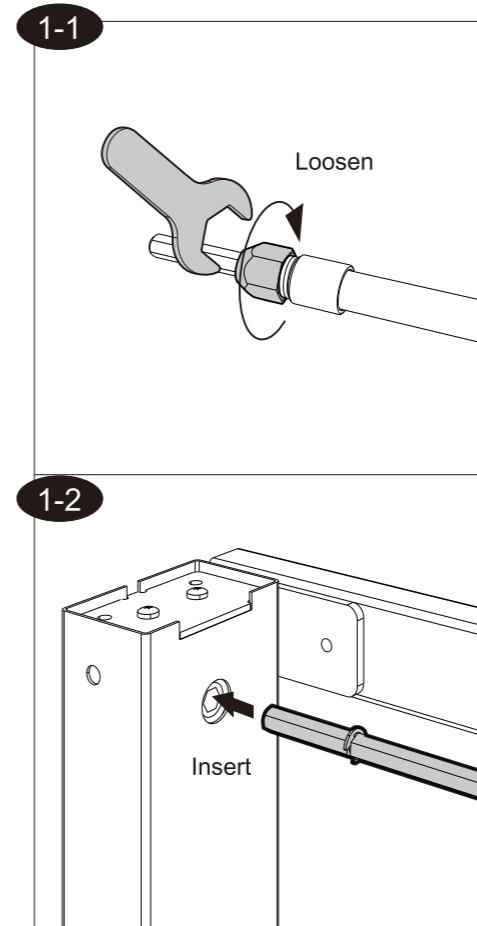
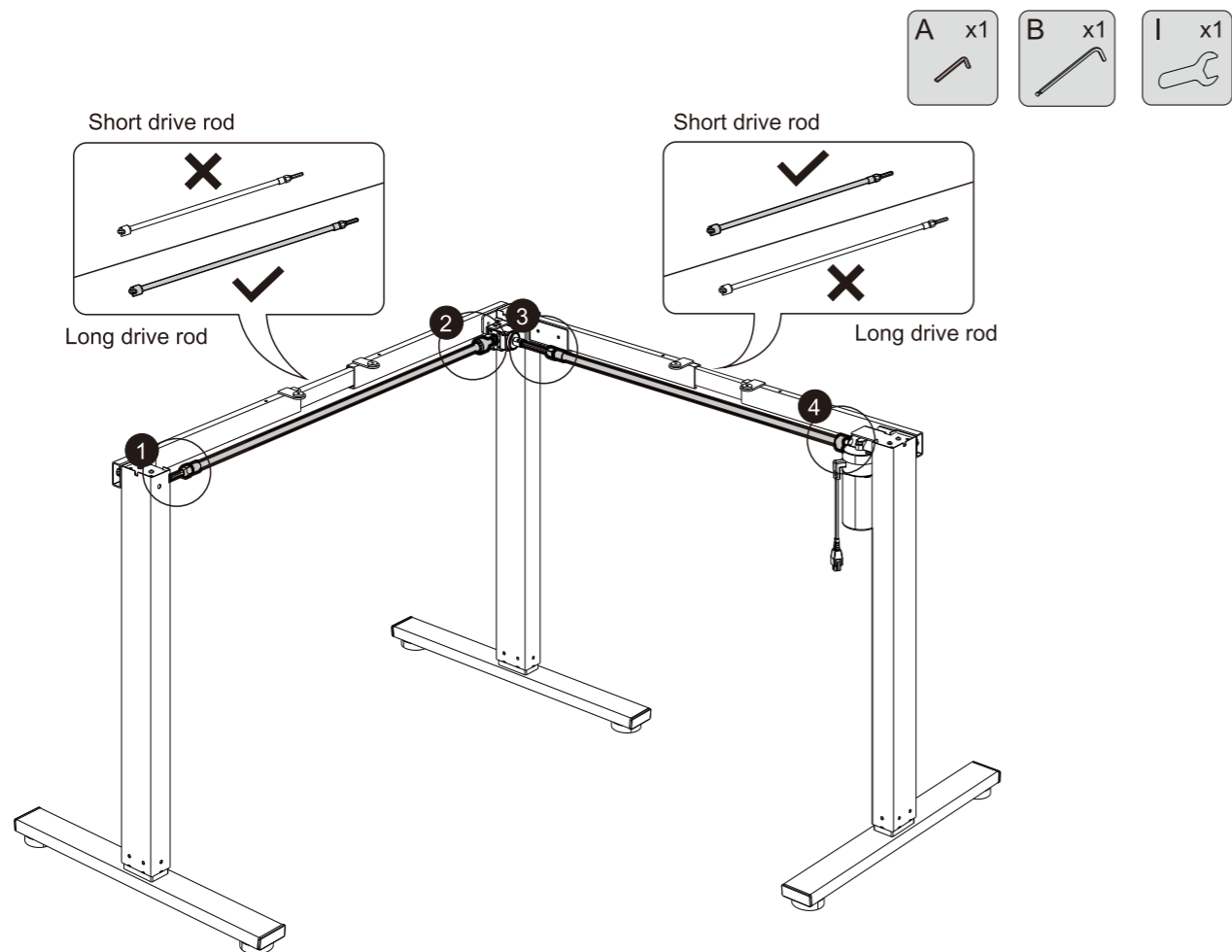


- B x1
- E x8

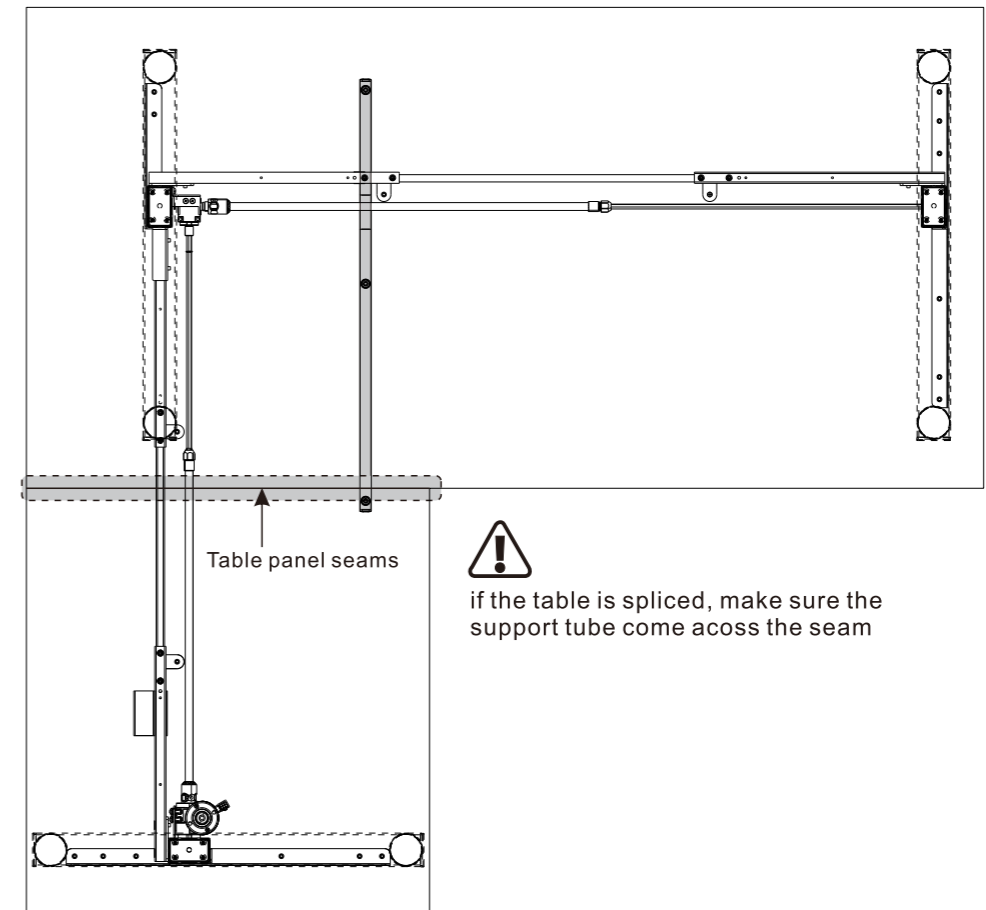
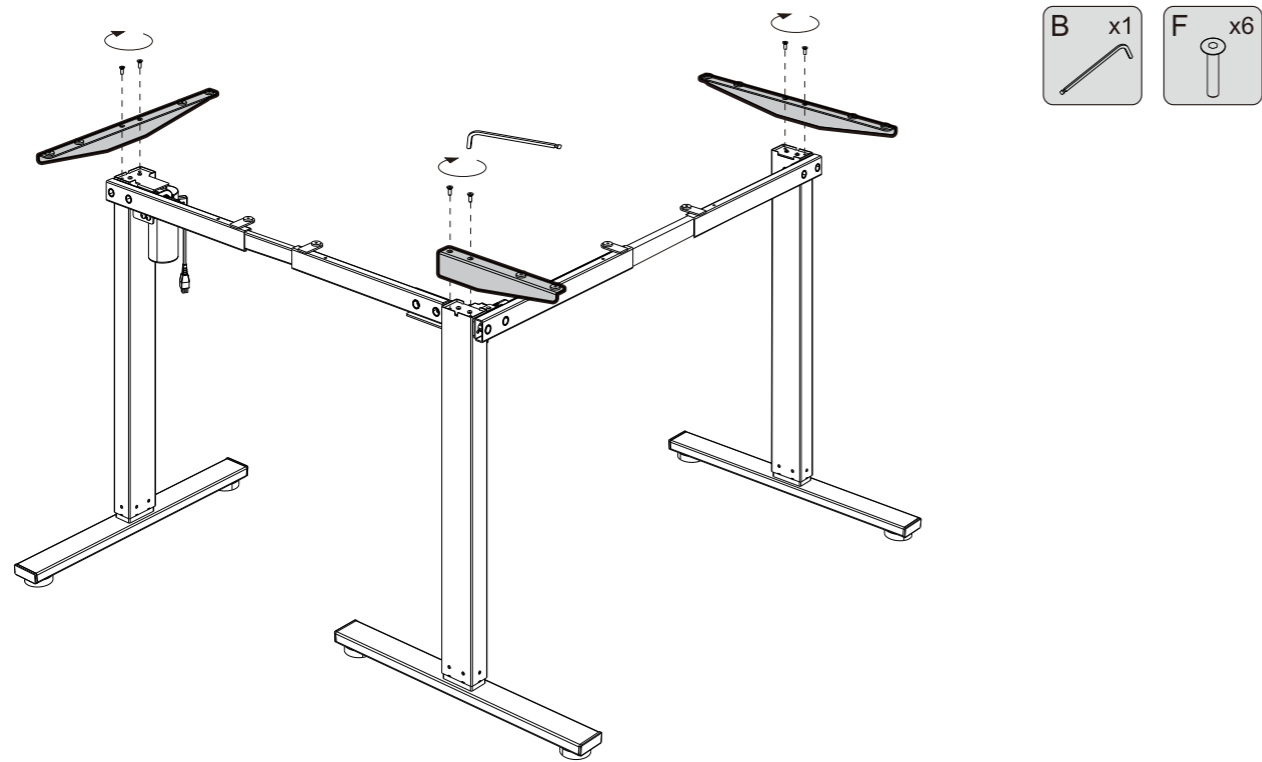
A-4 Extend the crossbeam



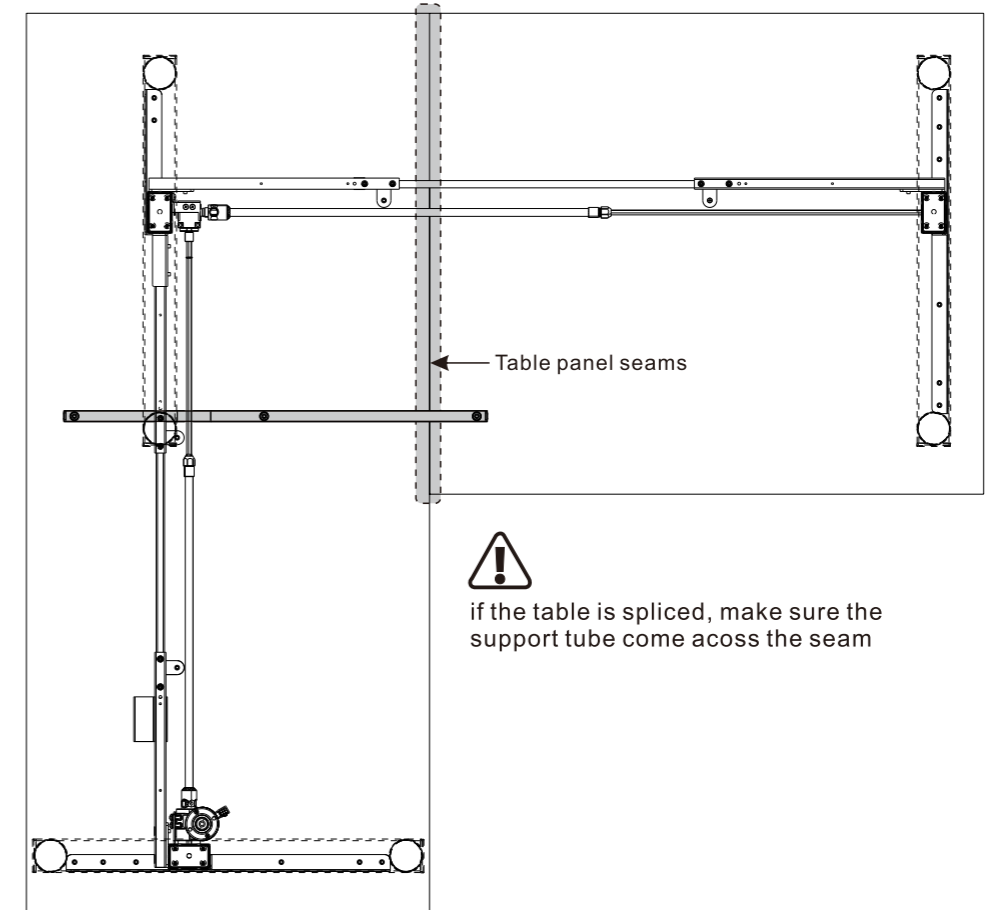
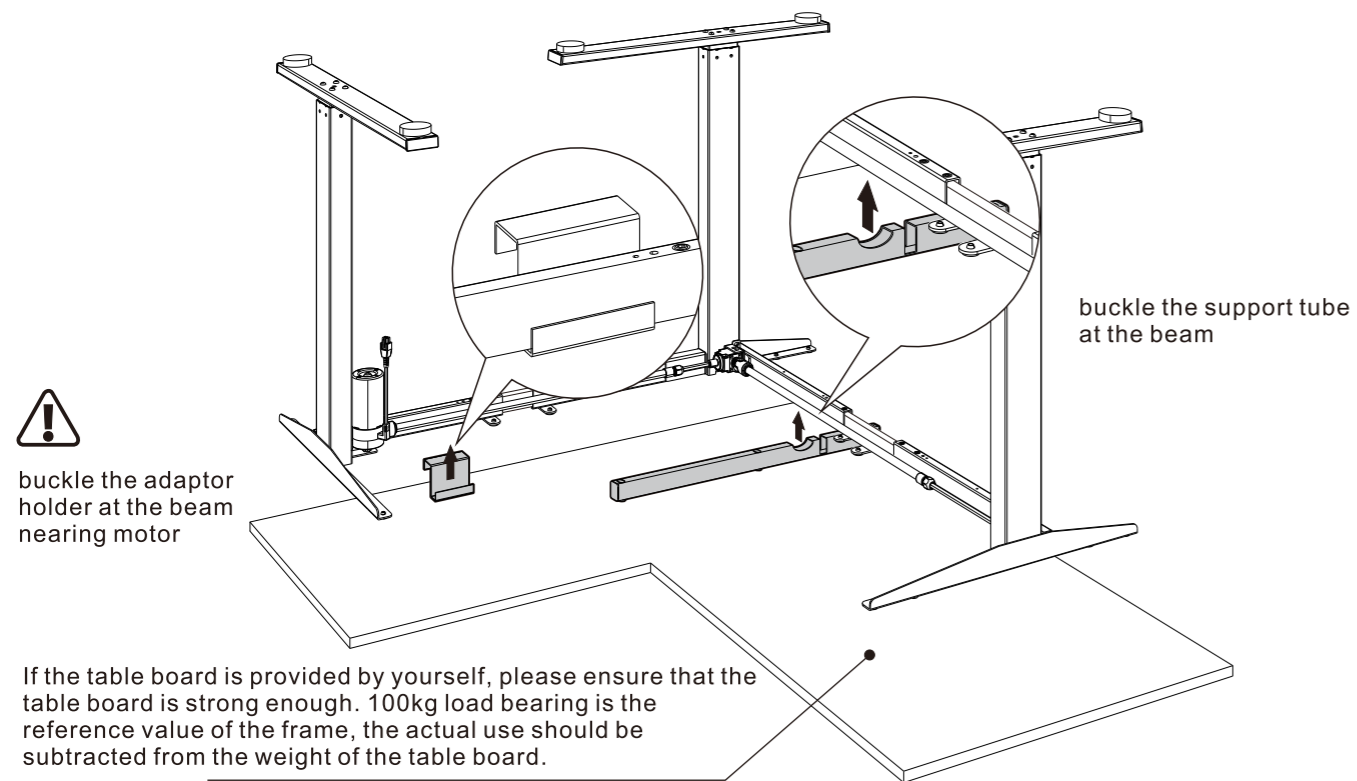
A-5 Install the drive rod



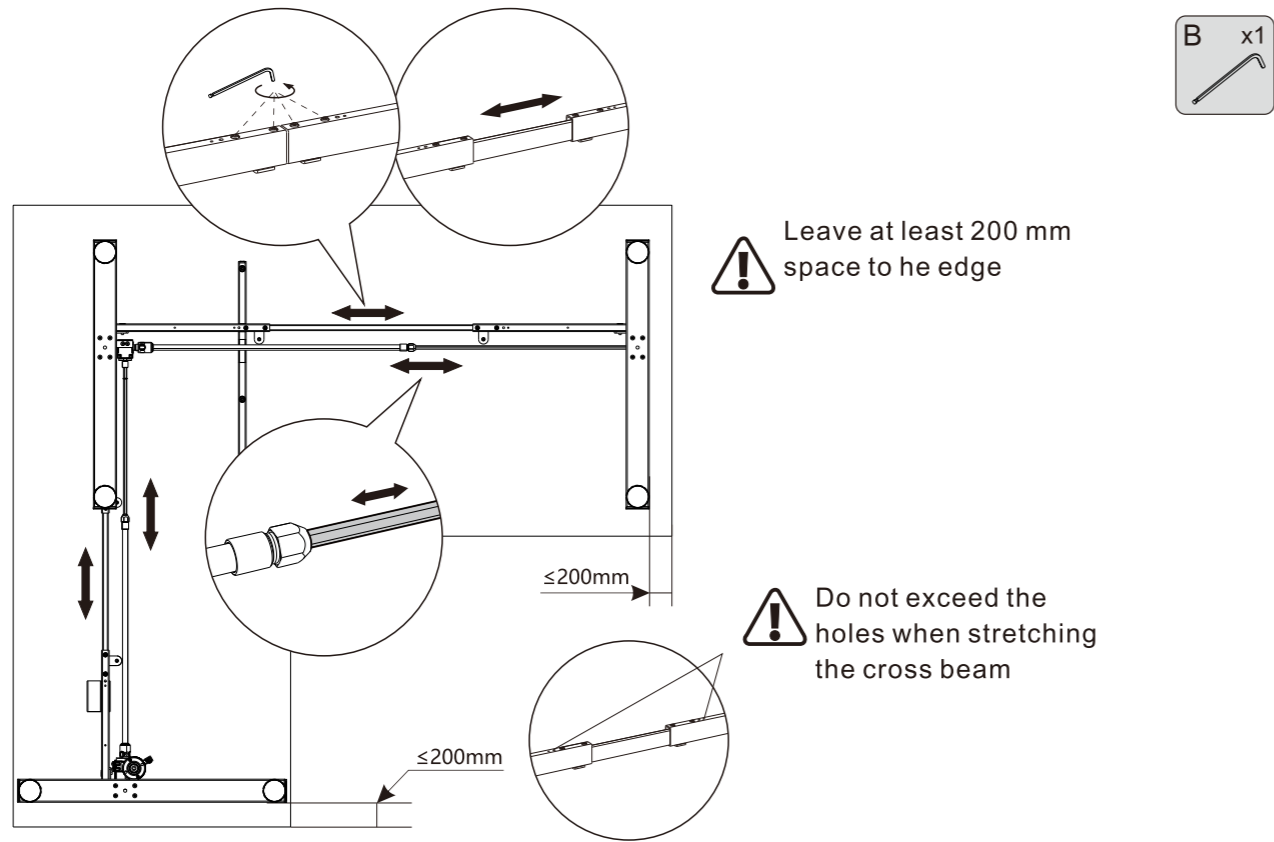
A-6 Install the support plate



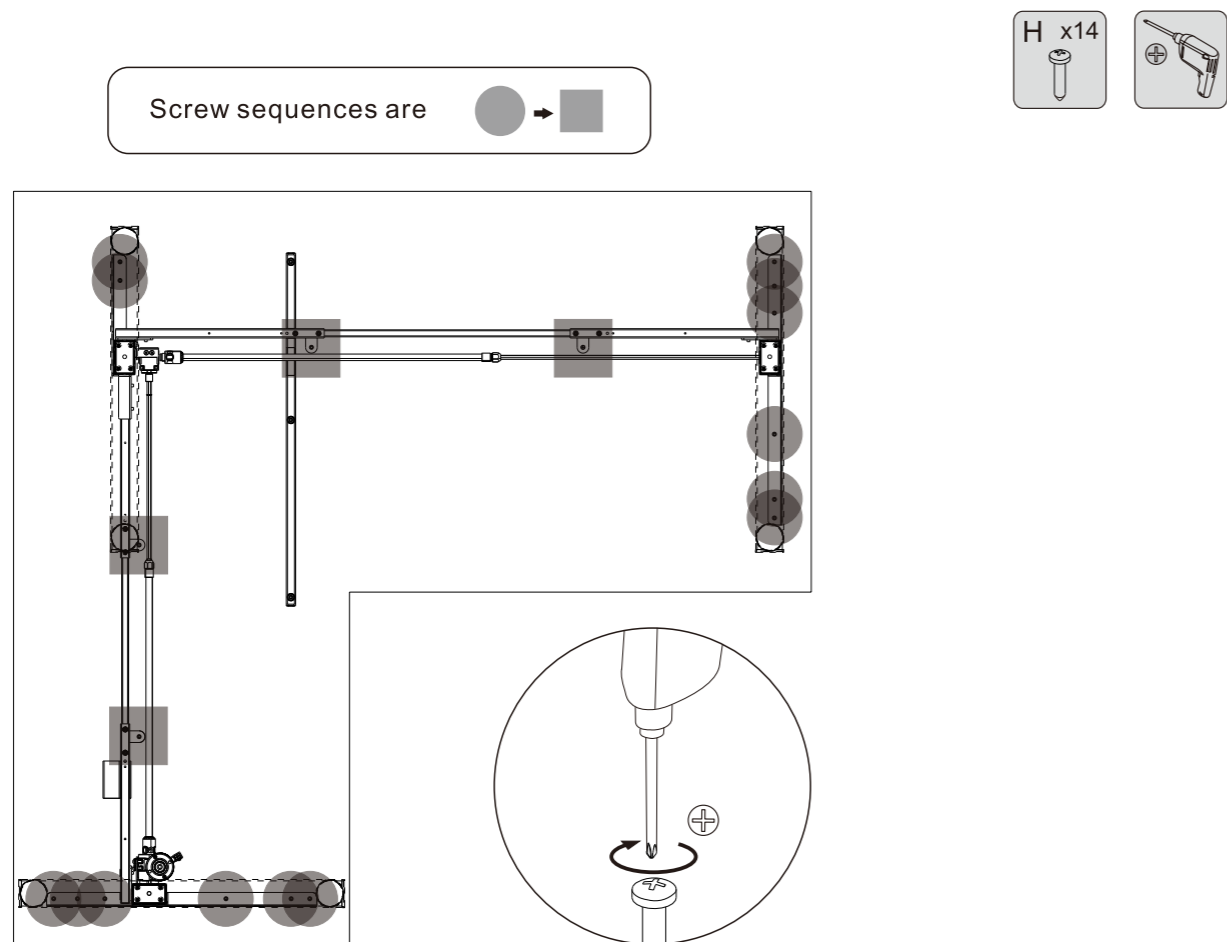
A-7 Place the frame on the desktop and install the adaptor holder&support tube



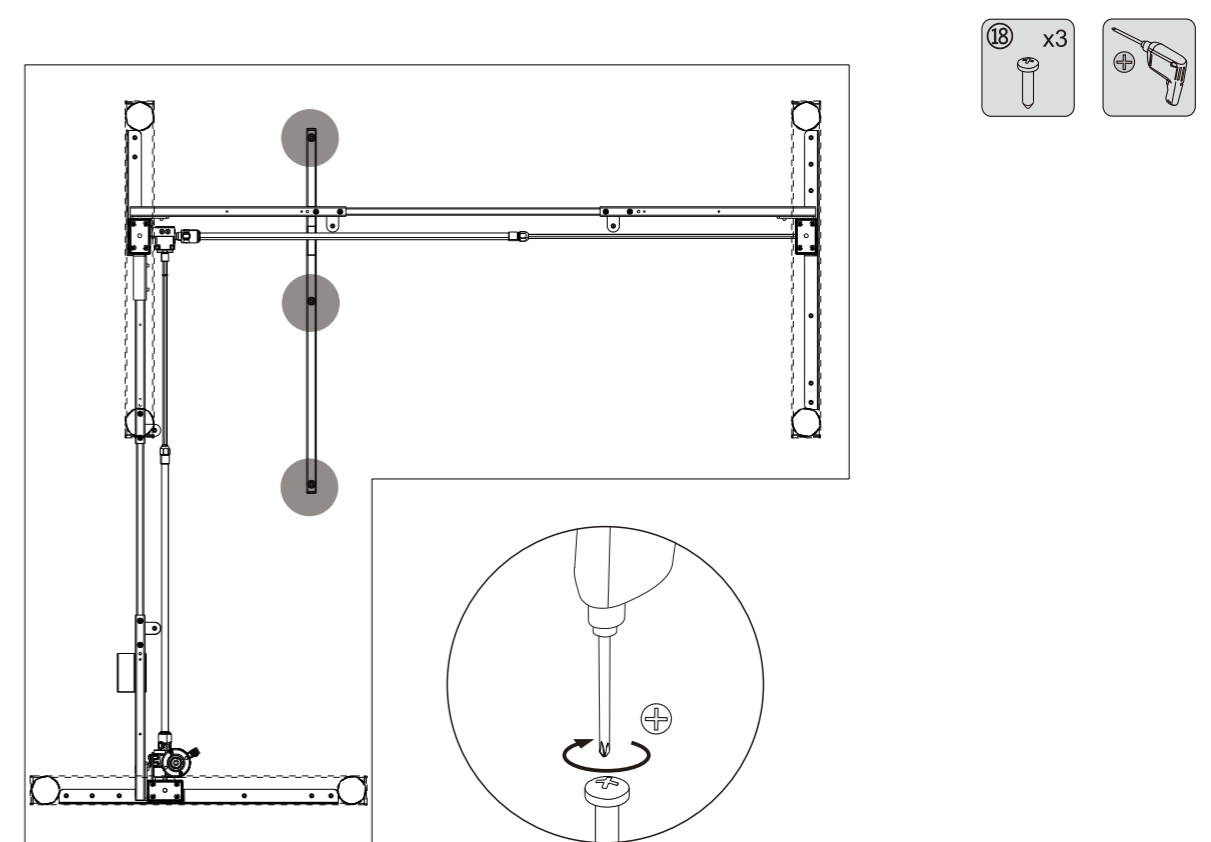
A-8 Adjust the cross beams and drive rods to appropriate position



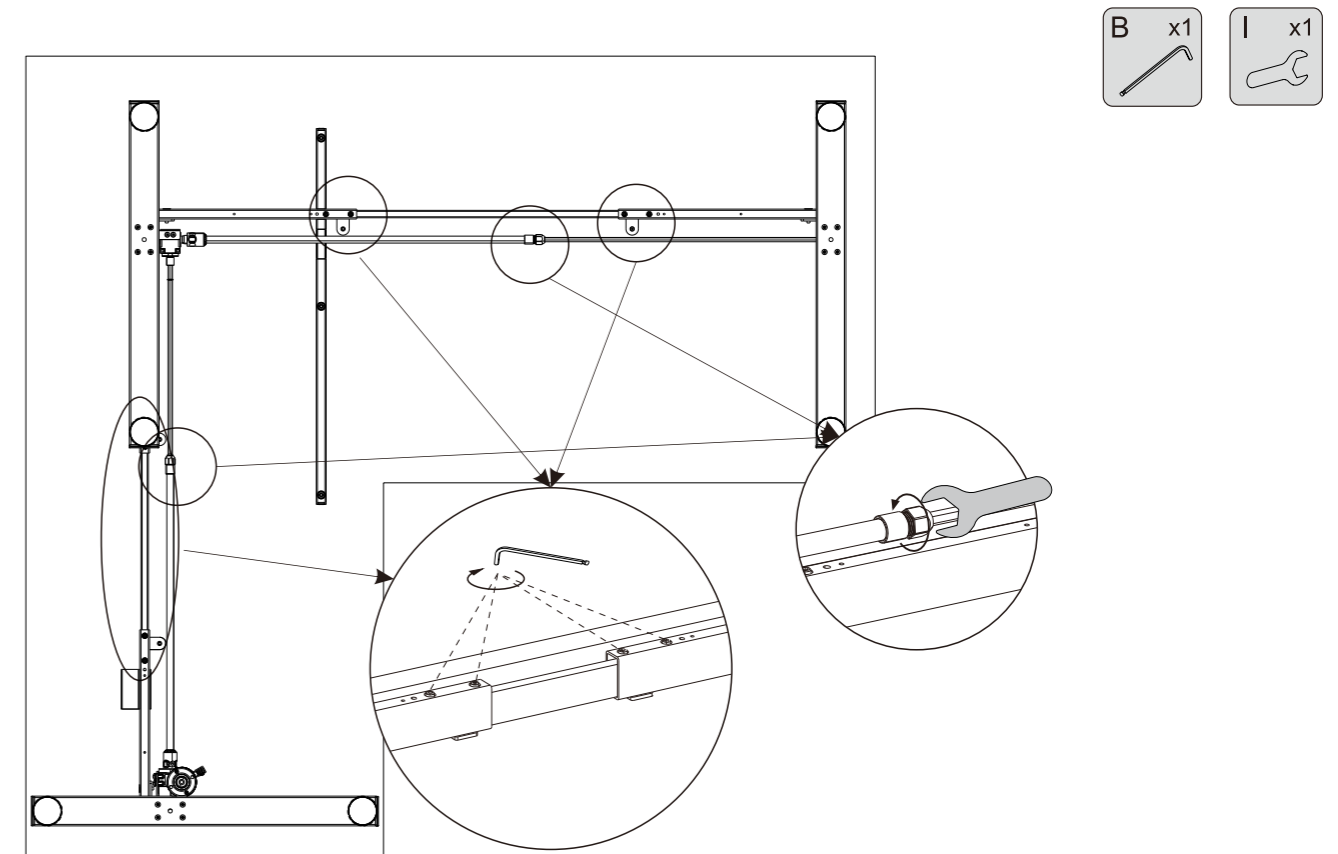
A-9 Attach the frame to the top



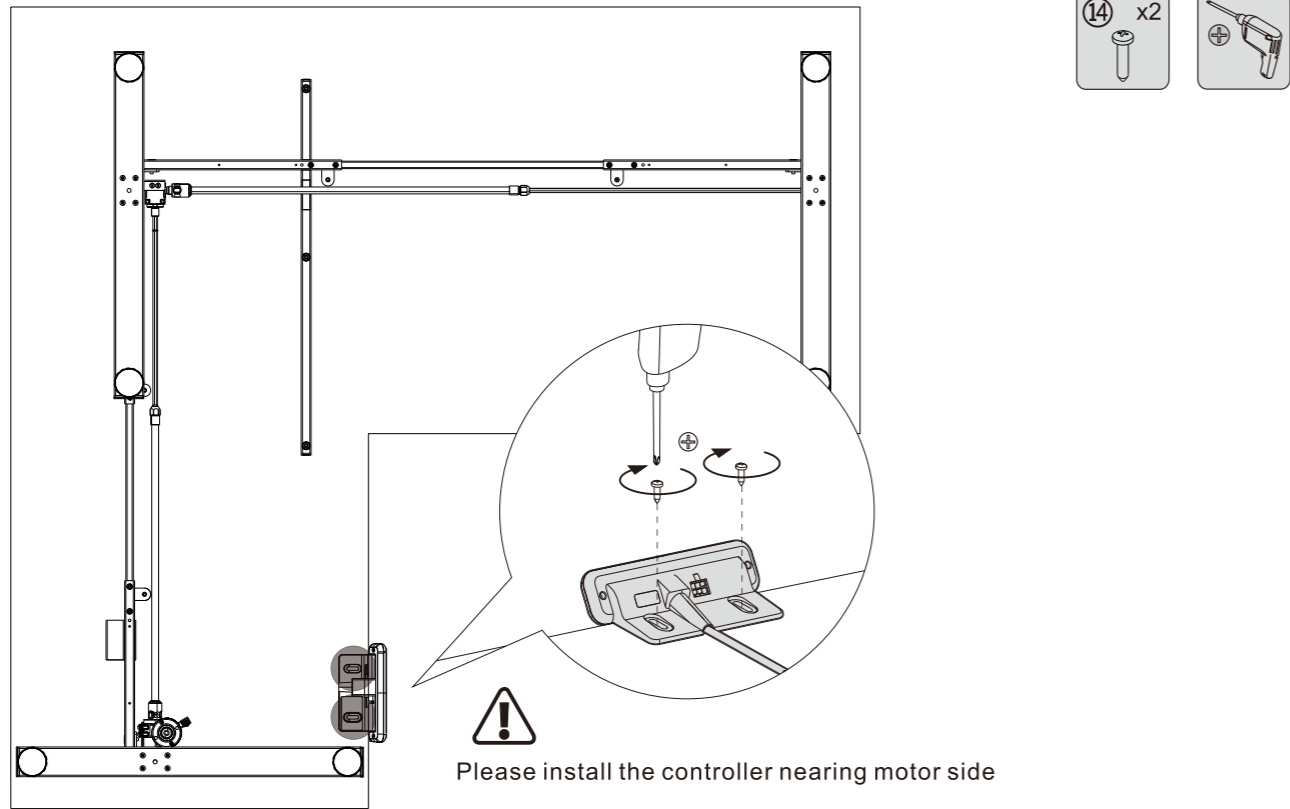
A-10 Tighten the screw on the support tube



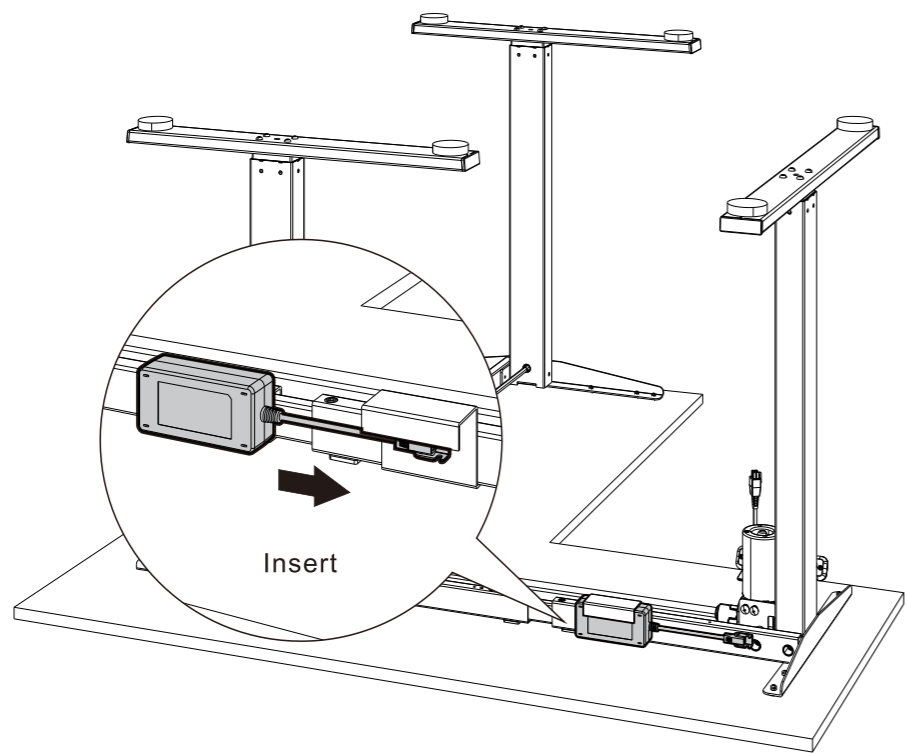
A-11 Secure the cross beams and drive rods



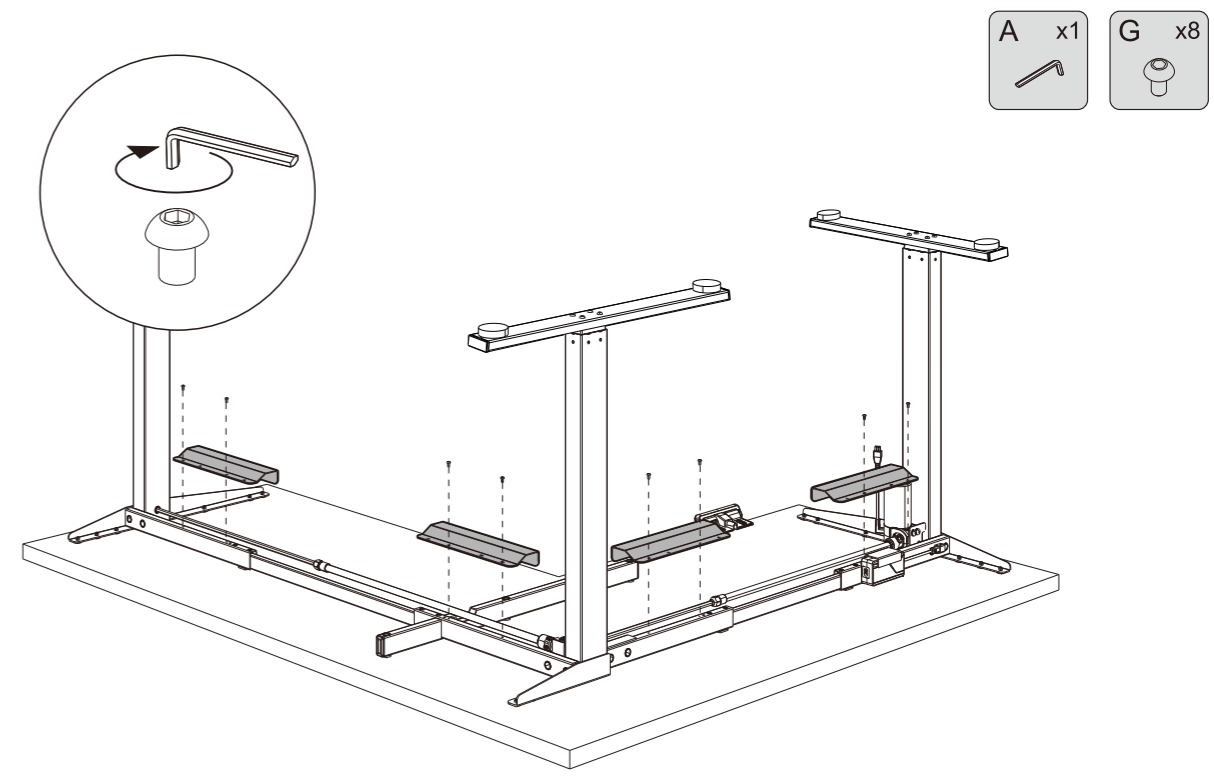
A-12 Install the adaptor



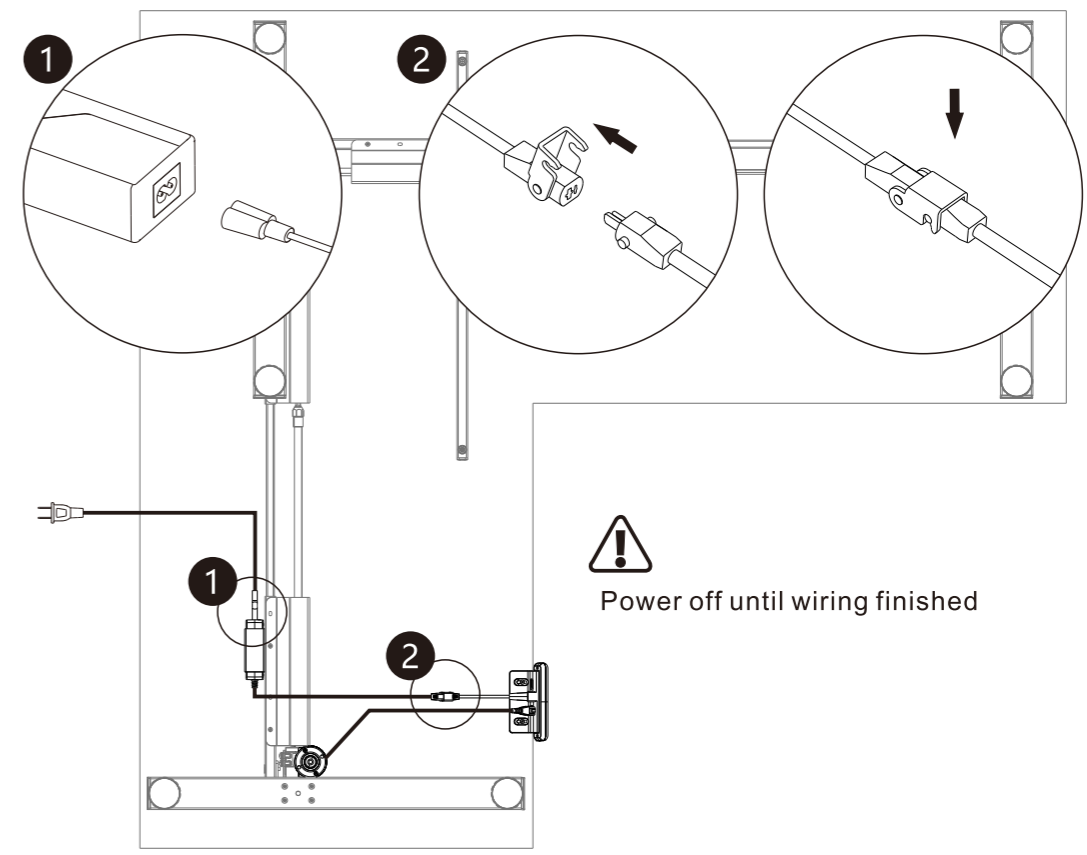
A-13 Install the adaptor



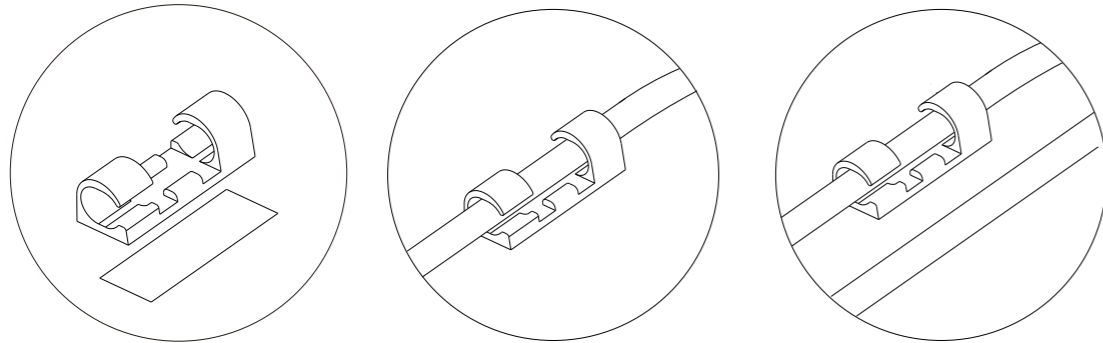
A-14 Install the baffle



A-15 Wiring



Fix the cables to desktop with cable clip to keep the desk clean.



Tear off

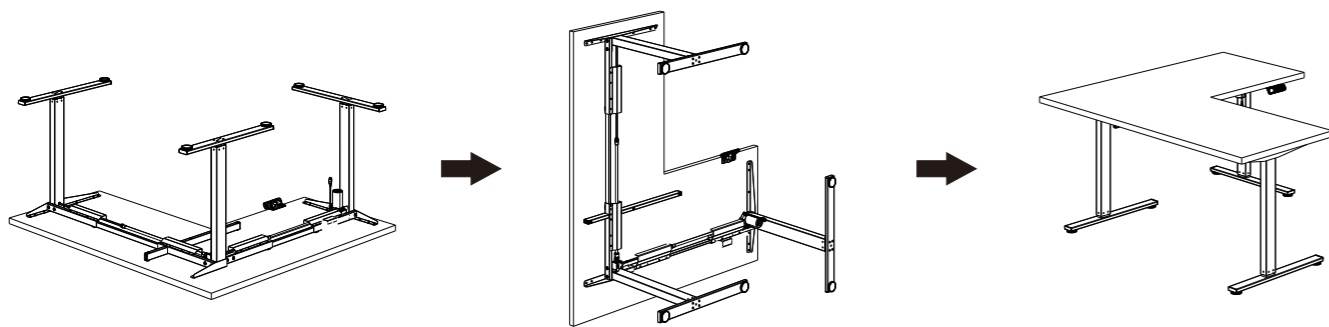
Manage cables

Fix

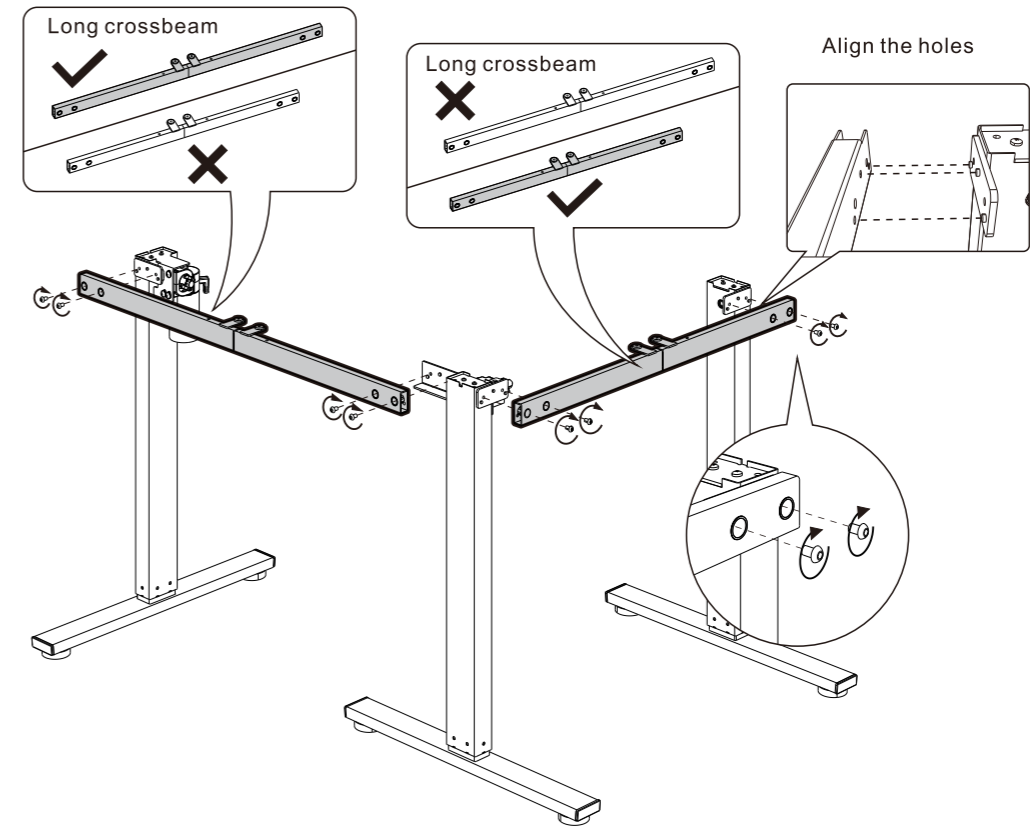
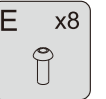
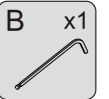
A-16 Turn over the desk



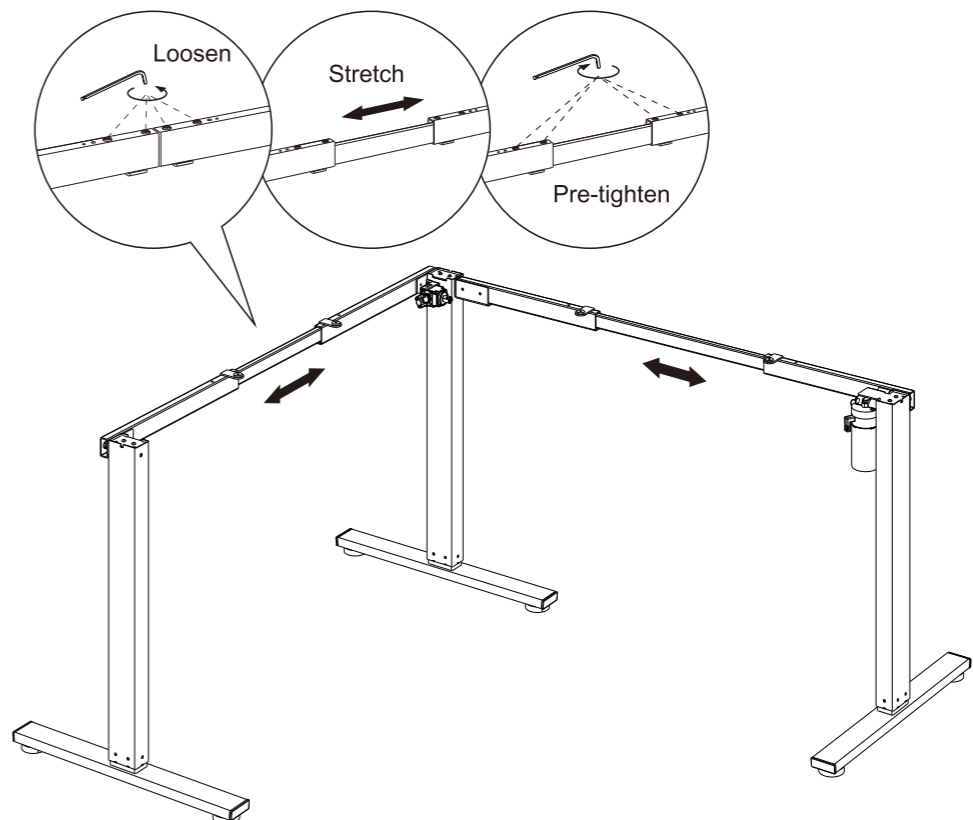
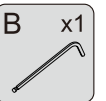
When turning the table over, be careful not to squeeze the handset and turn the end with the handset upwards.



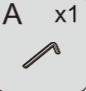
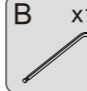
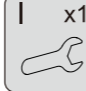
B-3 Install the crossbeam



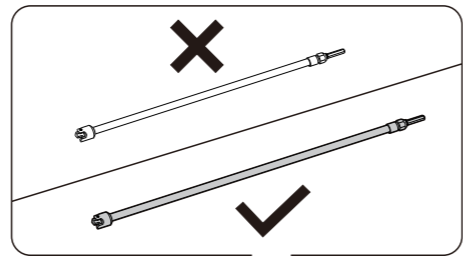
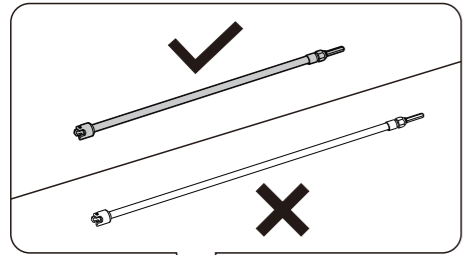
B-4 Extend the crossbeam



B-5 Install the drive rod

- A x1 
- B x1 
- I x1 

Short drive rod



Long drive rod

