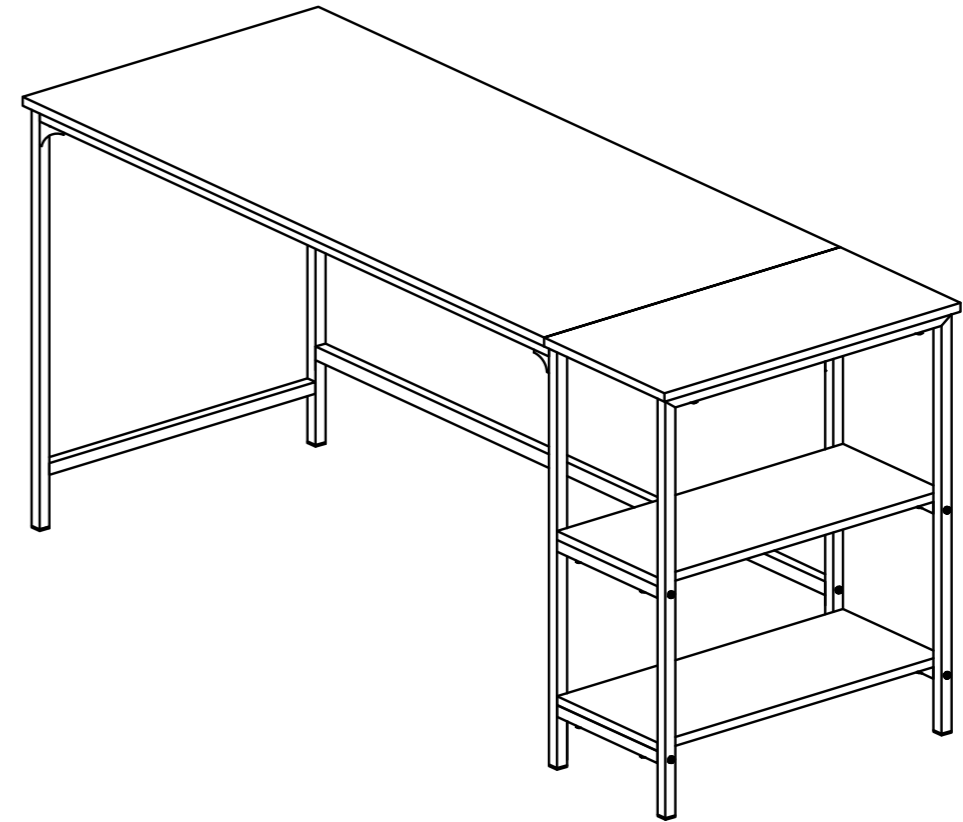


Computer Desk

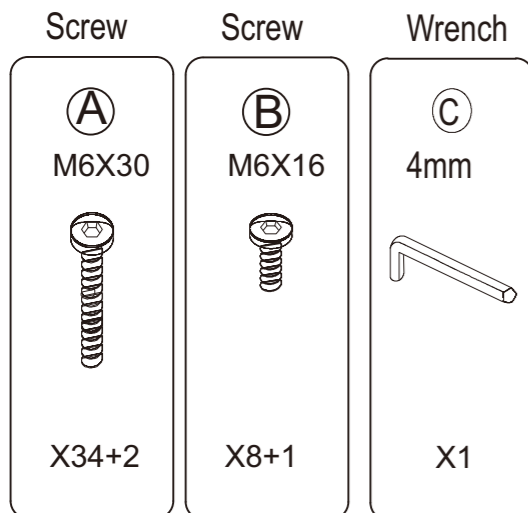
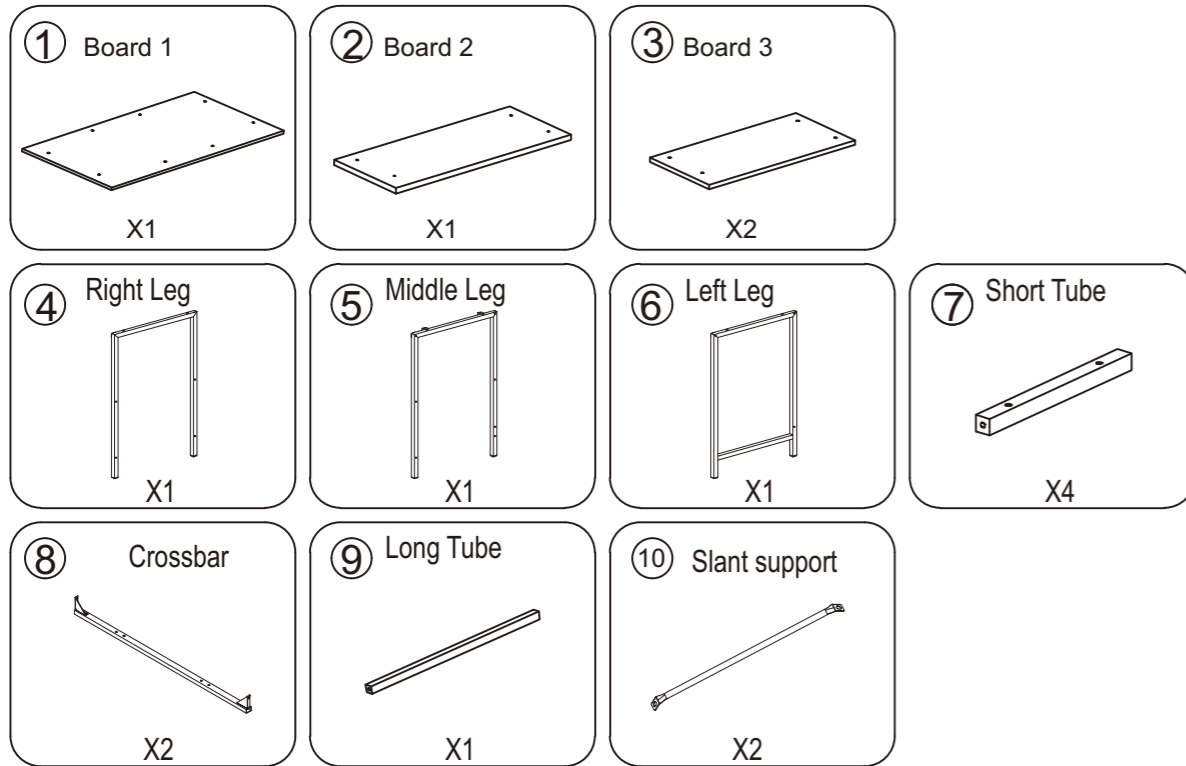
Item No. FD4-4824/FD4-5524/FD4-6324

User Manual





Parts List



Attention



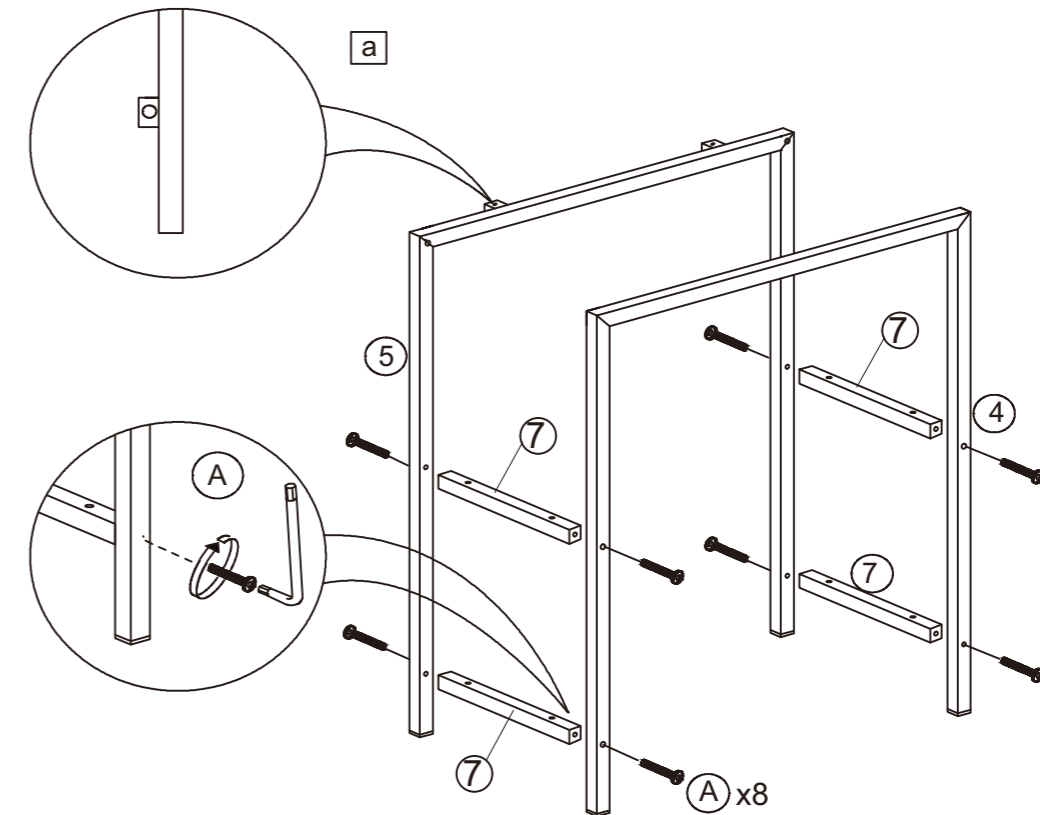
1. Before you begin: Lay out all parts on a clean surface to check if the tags and numbers are correct.
2. Don't screw tightly before all the screws are put into the corresponding holes.
3. Please use the screws correctly, otherwise you might damage the desktop.
4. It is recommended to install this desk by two people.

NOTES:

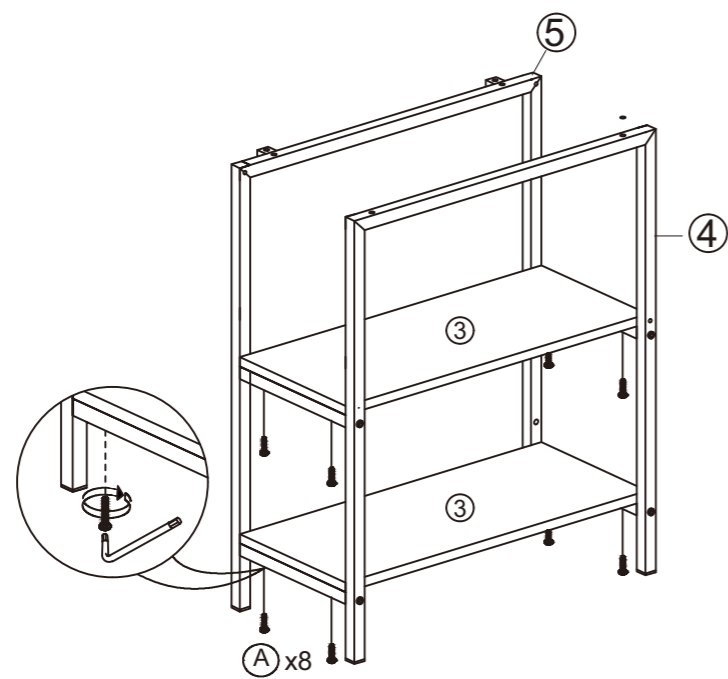
1. Keep away from humidity and the sunlight.
2. Don't push/pull it hardly, that will make the steel legs and the screws loose and broken.
3. Daily maintenance: Wipe the surface with a dry, clean, soft dishrag.
4. The corners of the iron parts are sharp, please pay attention when installing.
5. This product contains small parts that may cause suffocation if swallowed by children.
6. There is a gap in the process of splicing the product parts, beware of pinching.
7. Please make sure that the child does not climb and cause a dumping injury.

1

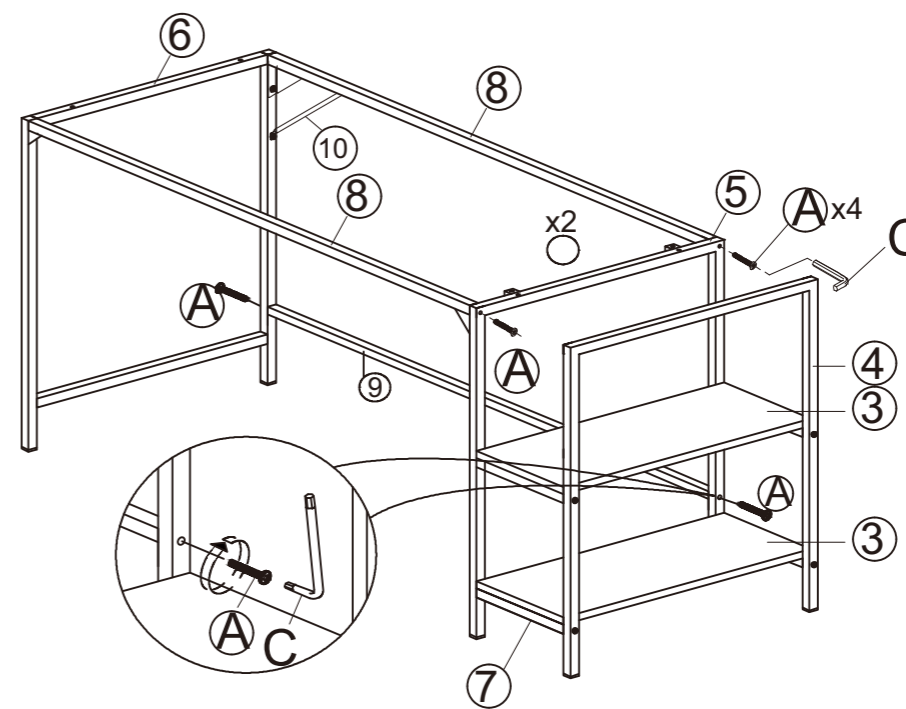
- a** Please note that the padding iron pieces should be facing outwards.



2

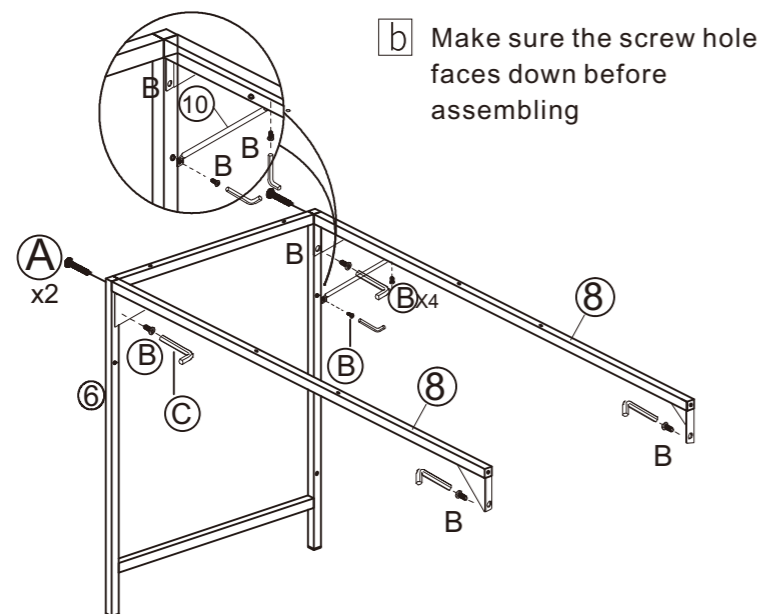


4



3

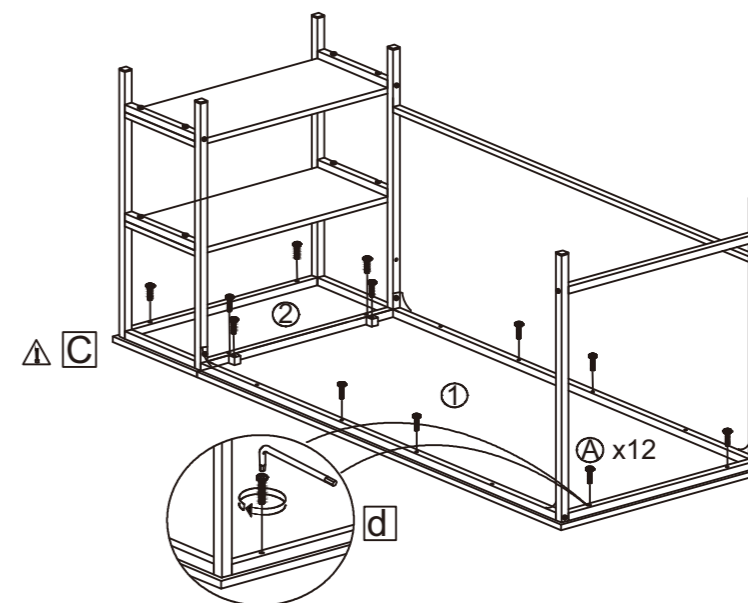
b Please note: Two protruding screw holes should be on the same side to install the strut connecting components 6 and 8.



b Make sure the screw hole faces down before assembling

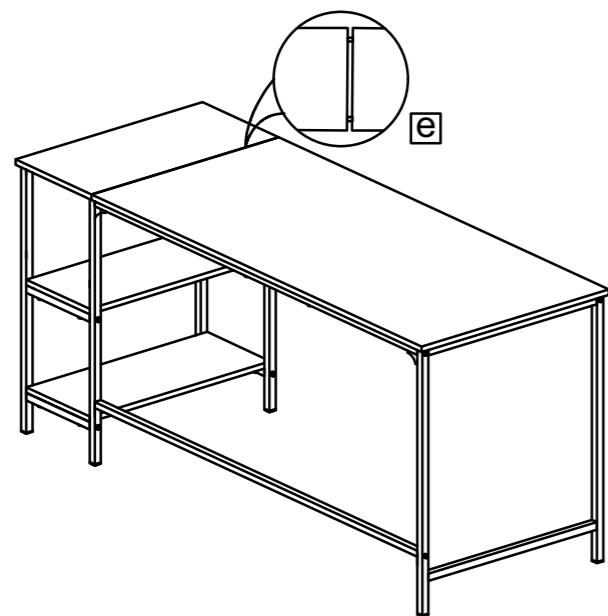
5

c If the holes of the desk frame and desk board don't match, please change the direction of the board and try again.
 d The desktop can only be fixed with screws ②. DO NOT screw tightly in this step.

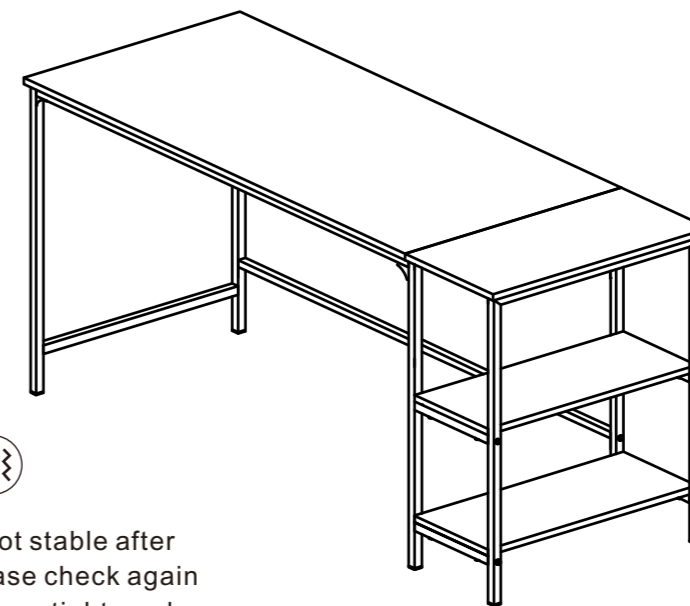


6

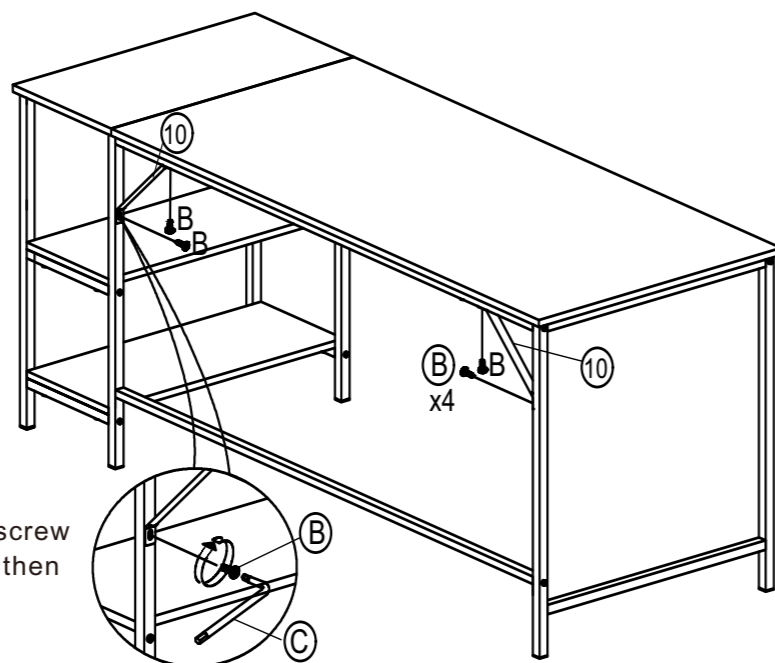
e Tighten all the screws when there is no gap between the two boards.



8



7



Put the two screws into the screw holes at the same time, and then tighten the screw.

9 Recycling and Disposal



This product cannot be disposed of as household waste. To prevent damage to the environment, this product should be recycled. Please use the relevant recycling systems available to you or contract the distributor or manufacturer for recycling assistance.