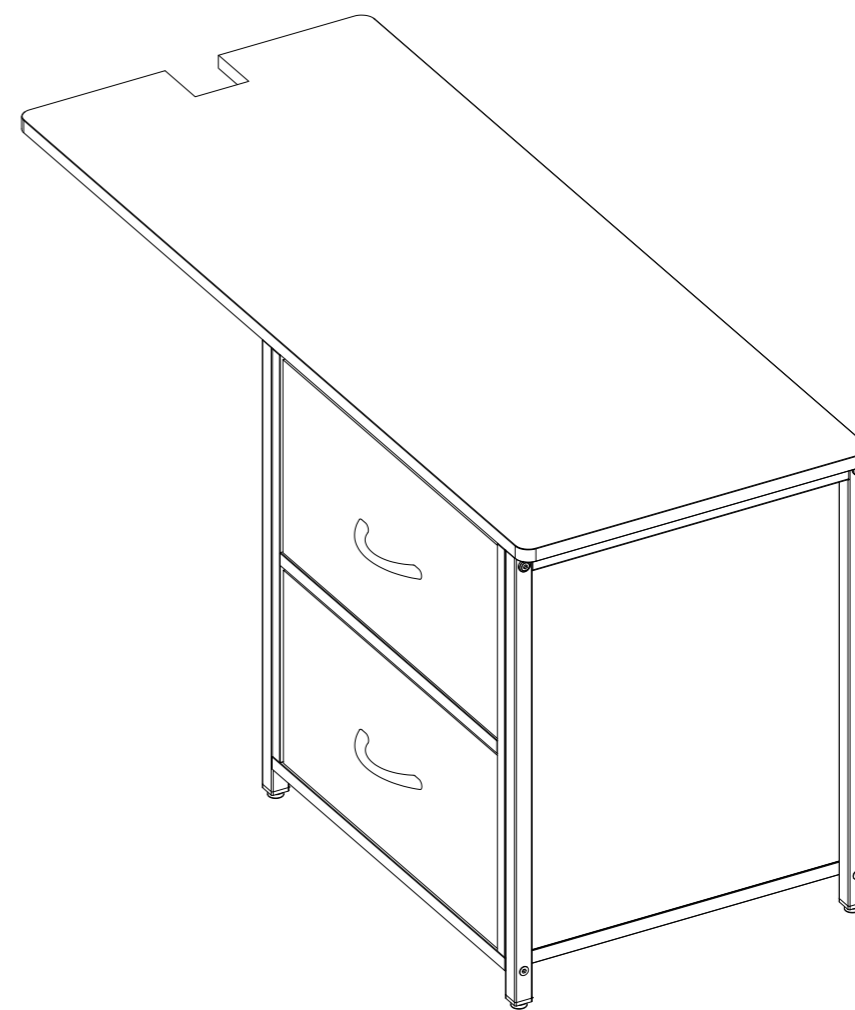


# FL1B Side cabinet

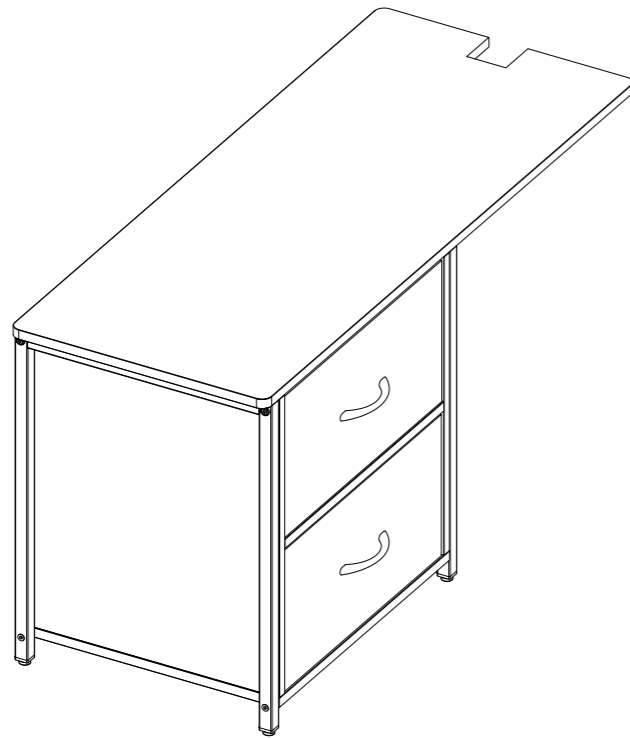
## ASSEMBLY INSTRUCTIONS



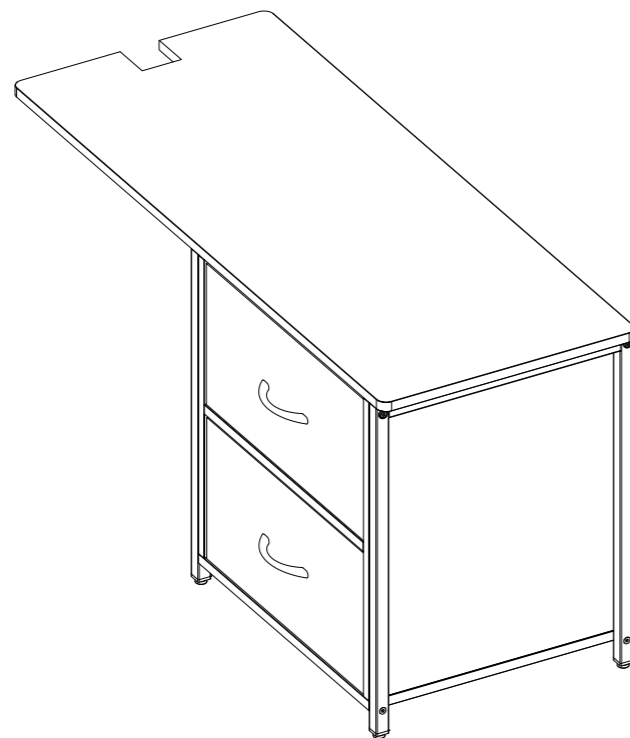
# Assembly Options

The side cabinet can be installed on the left or right side of the desk.  
Please select an option and proceed with assembly.

**Option A | On The Left**

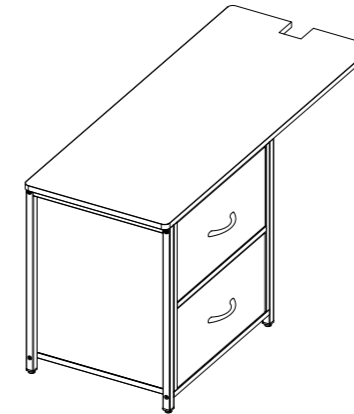


**Option B | On The Right**

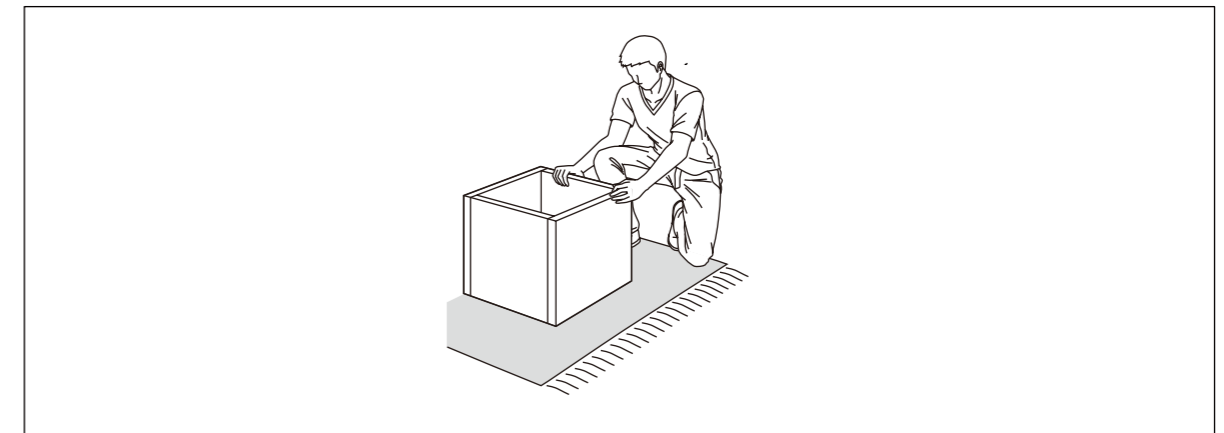
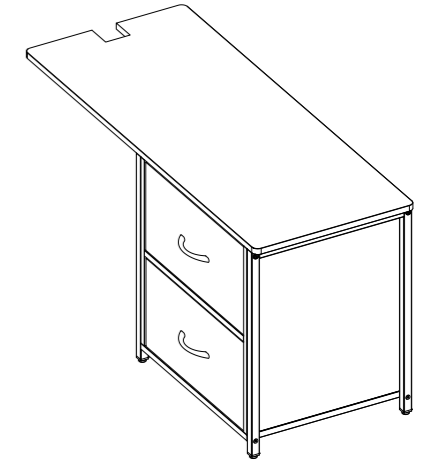


# Warning

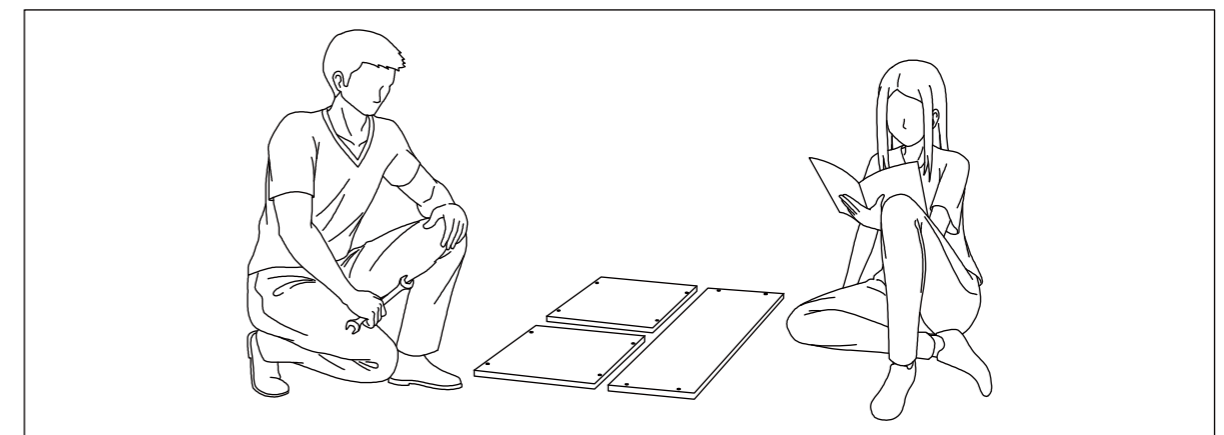
**Option A | On The Left**



**Option B | On The Right**



Assemble the furniture on empty carton, carpet, or rug to prevent scratches or damage.



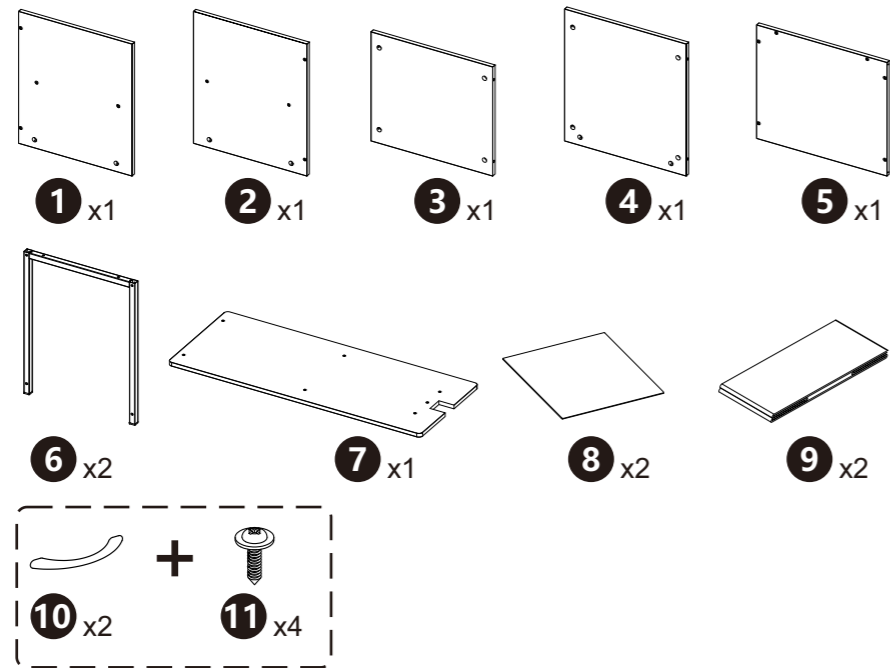
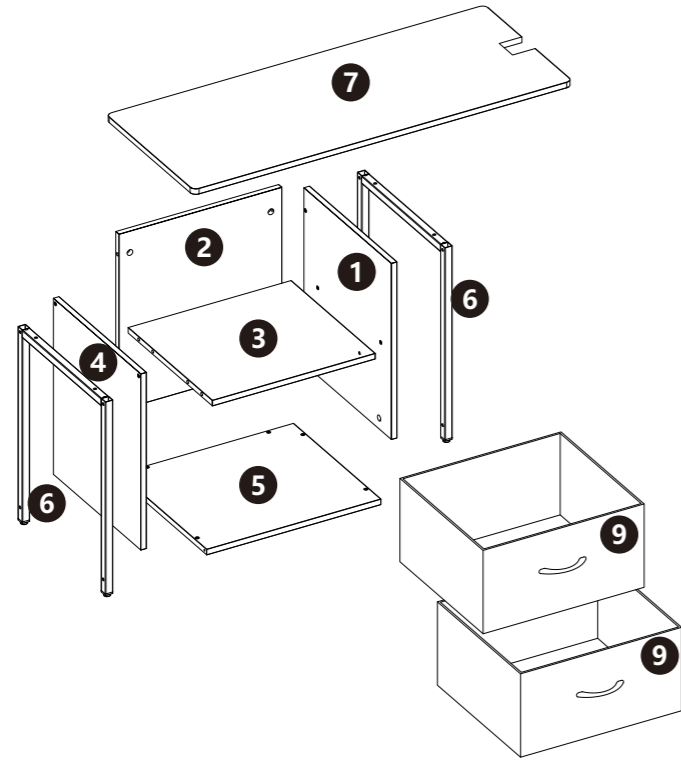
This furniture requires 2 people to assemble.

Make sure no parts are missing or damaged before assemble

# Product List

## Accessory Package

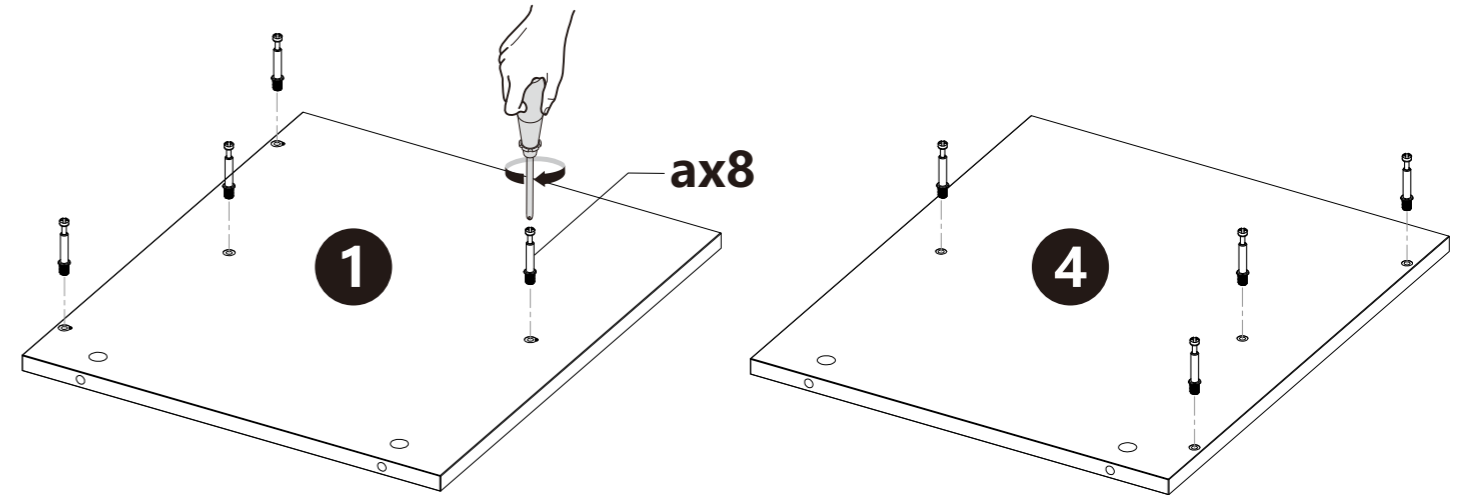
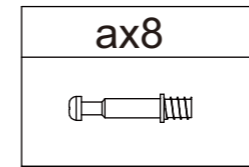
Note: The following line drawings are for reference only and in some cases may be different from the actual part; please refer to the actual part. If you find missing parts or have installation problems, please contact customer service.



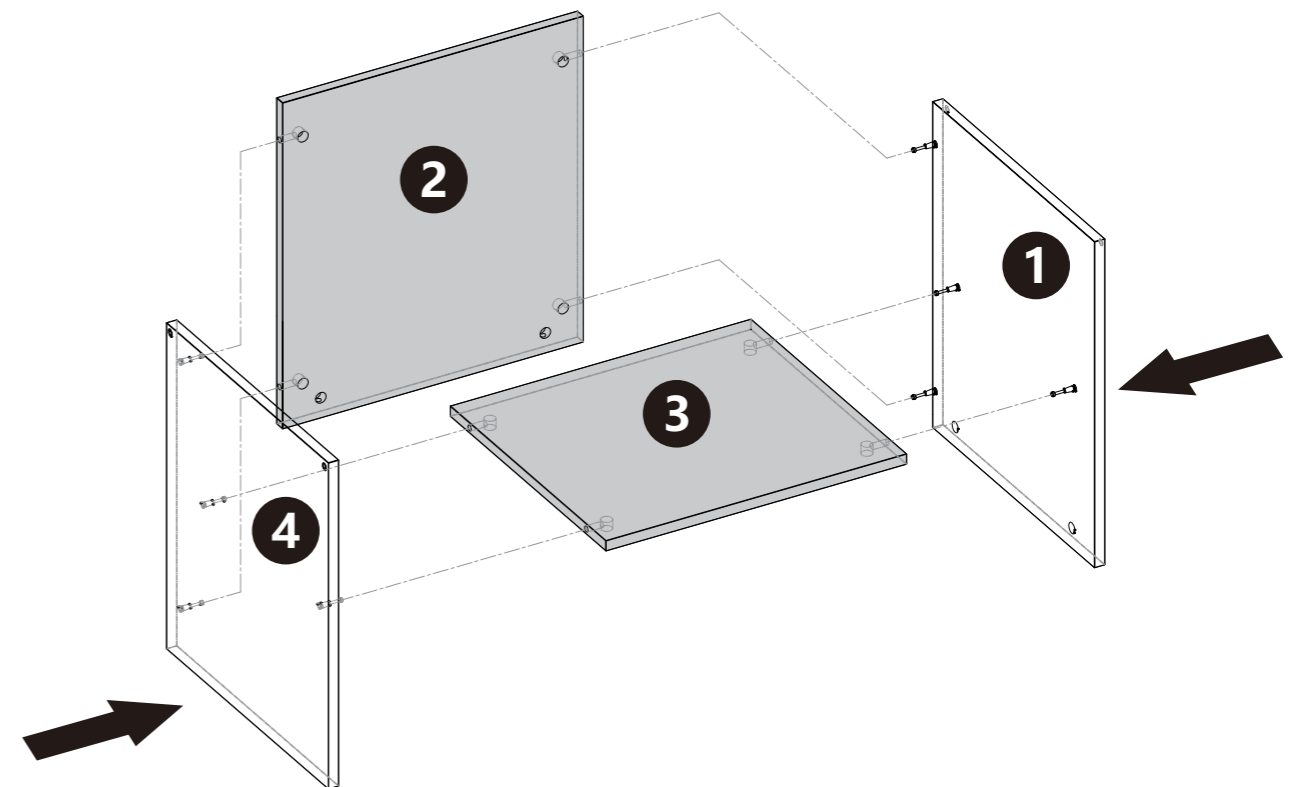
ax14	bx14	cx4	dx8	ex1	fx4
Φ 6X29	Φ 15X9.5	M7x40	M6x30	M4	

# Assembly Steps

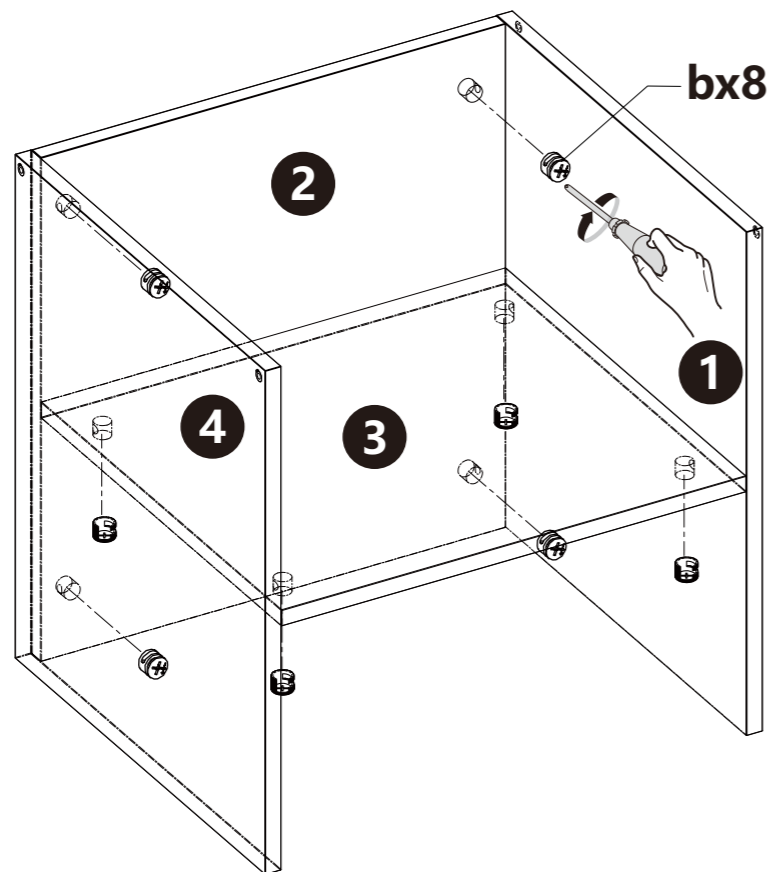
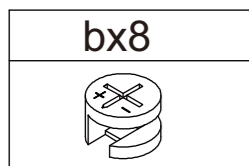
01



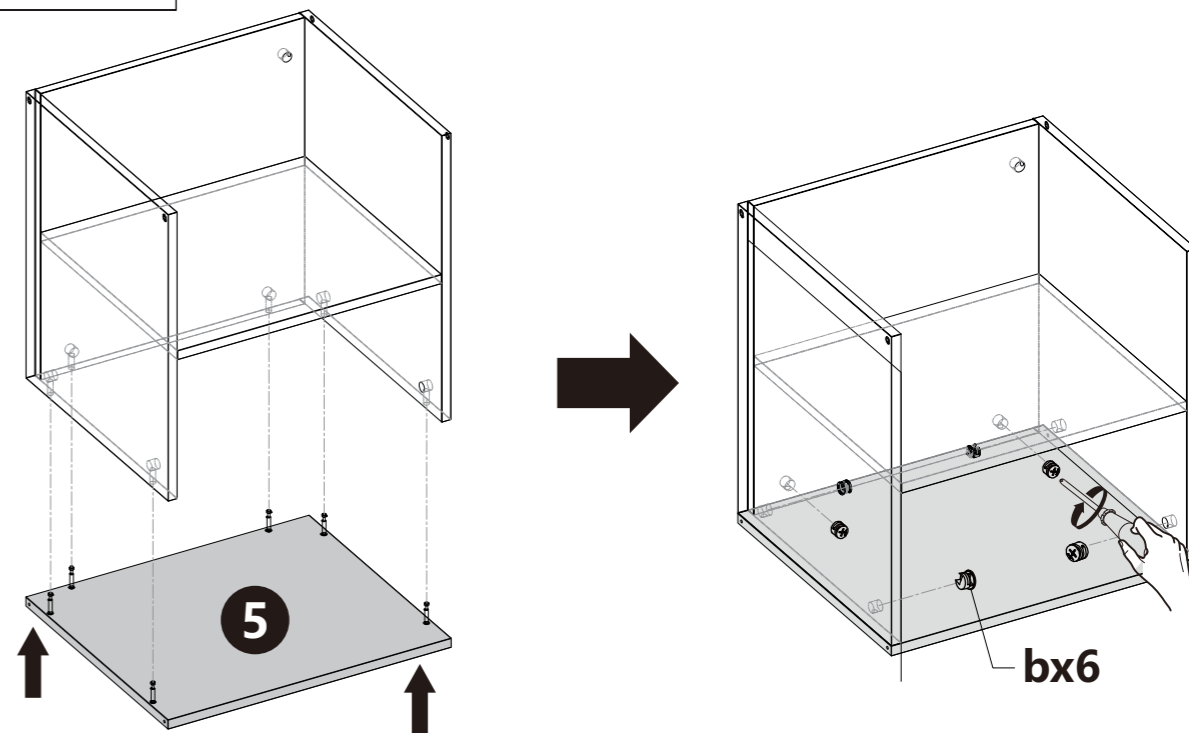
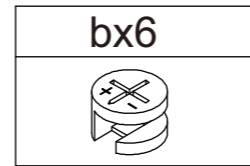
02



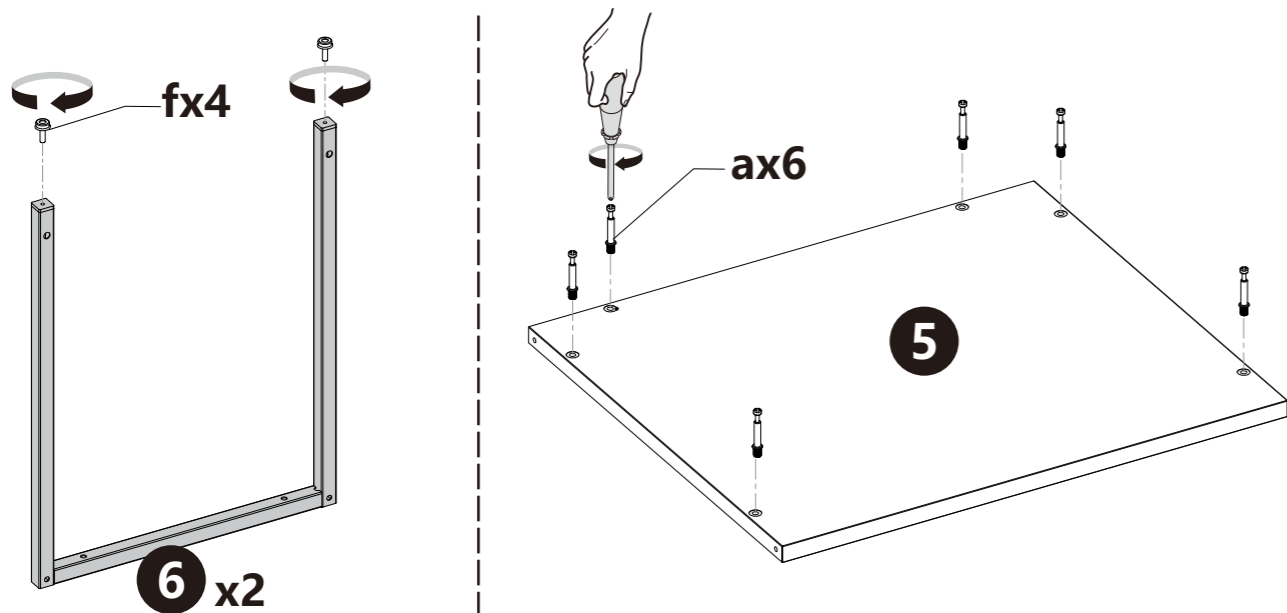
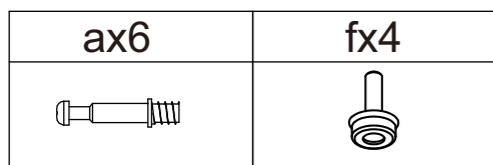
03



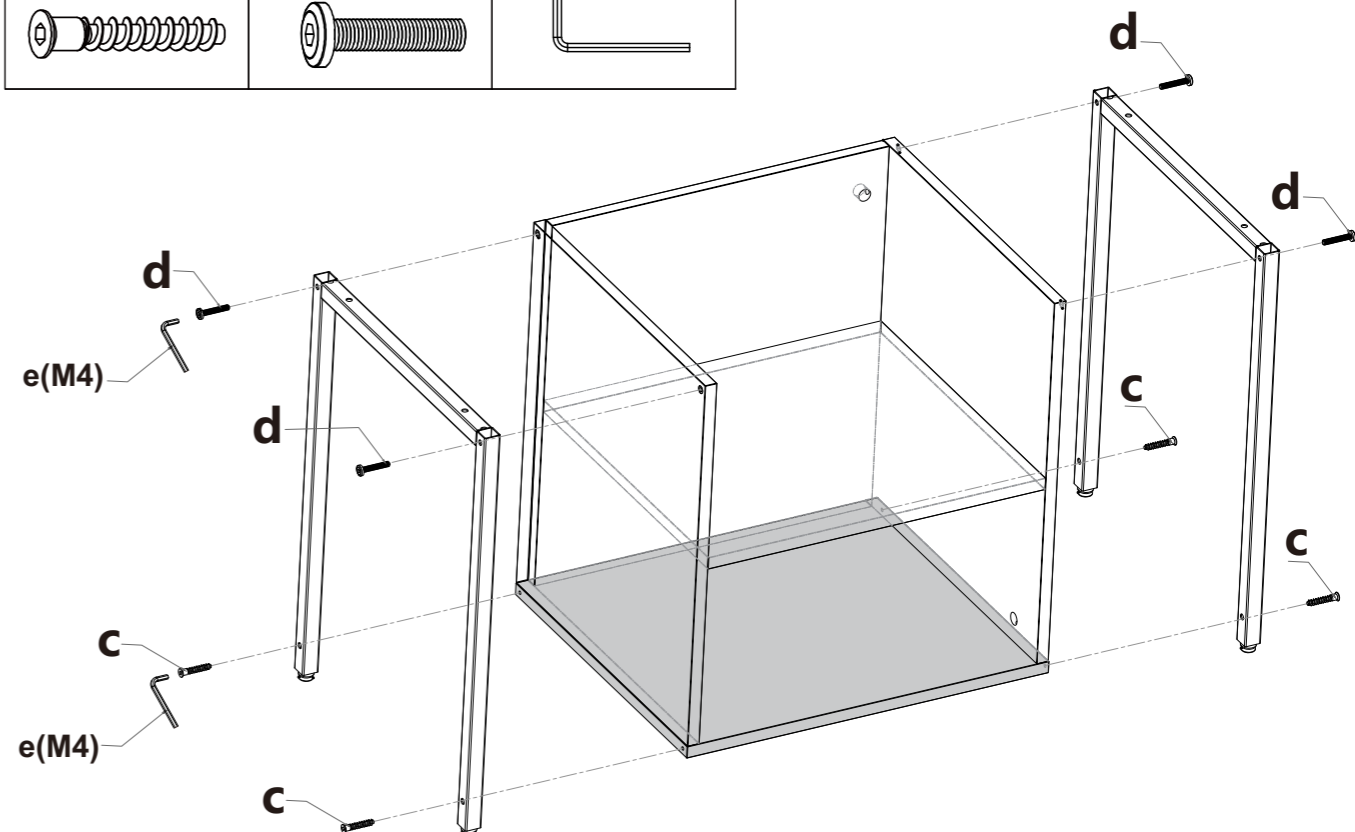
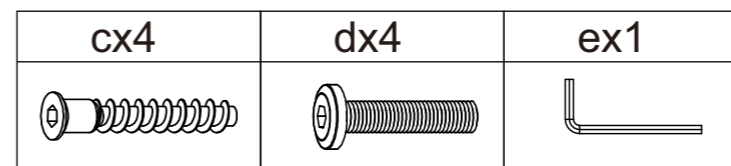
05



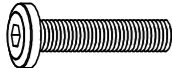

04



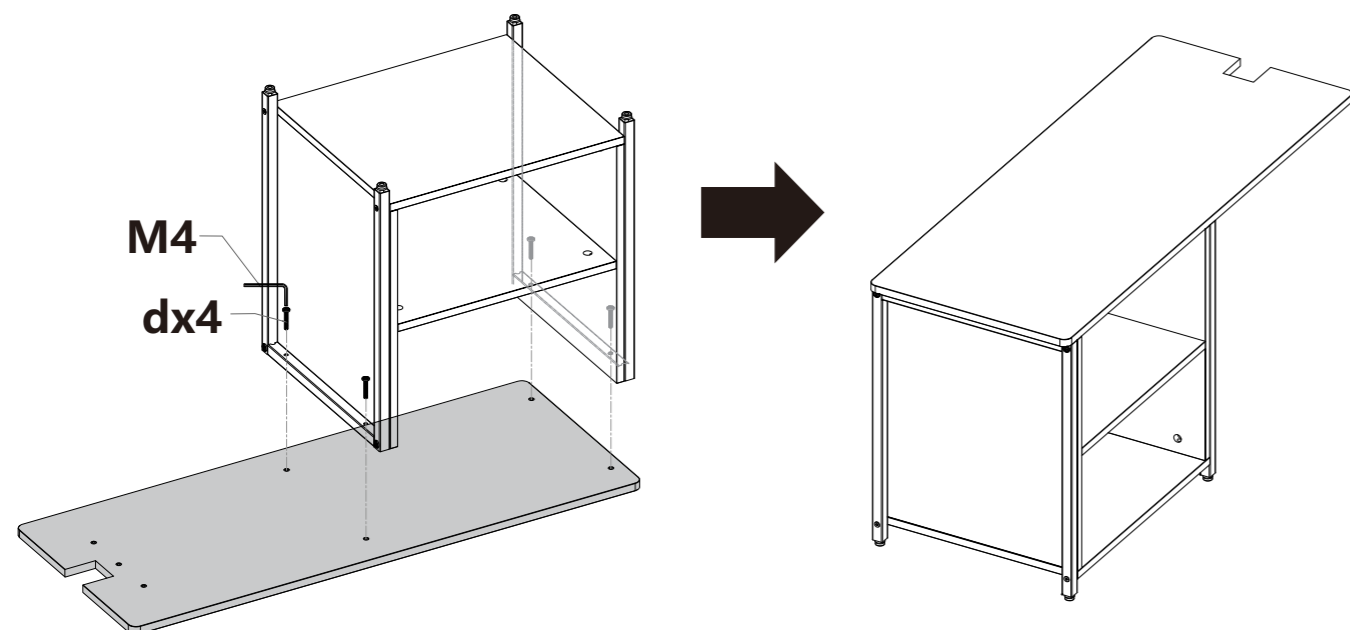
06



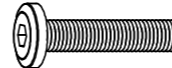

07

dx4	ex1
	

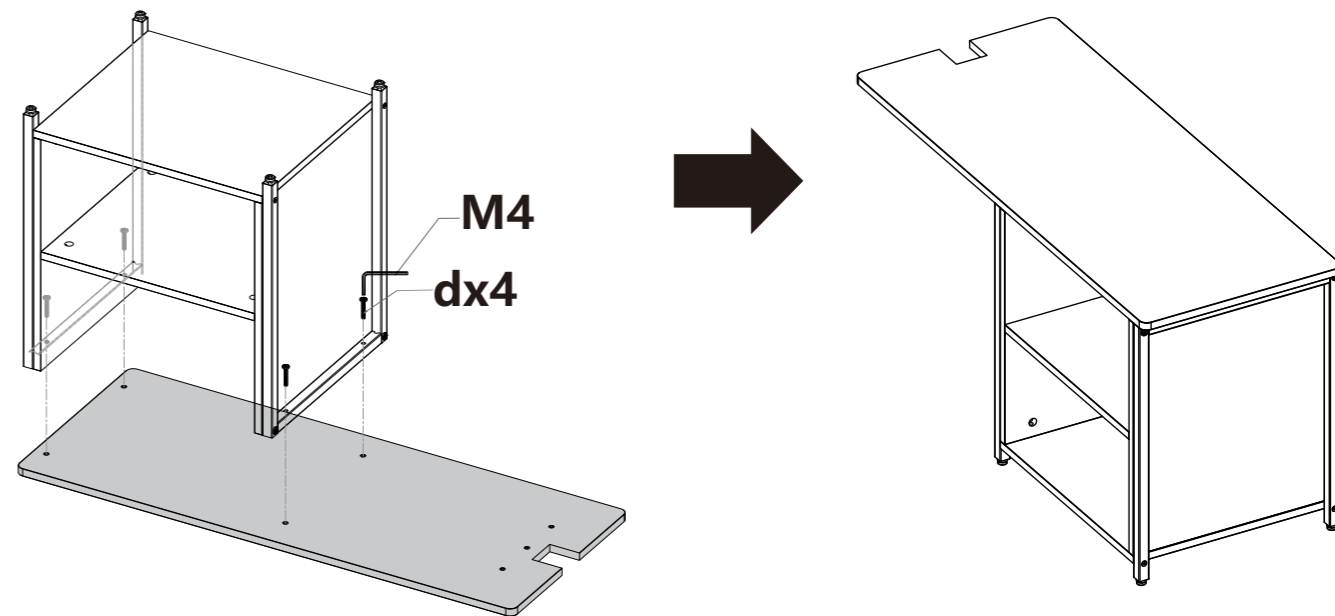
Option A | On The Left



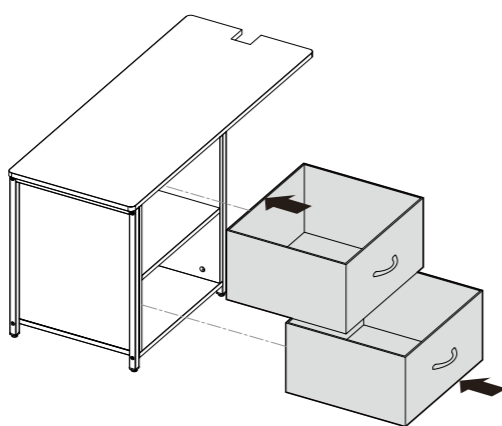
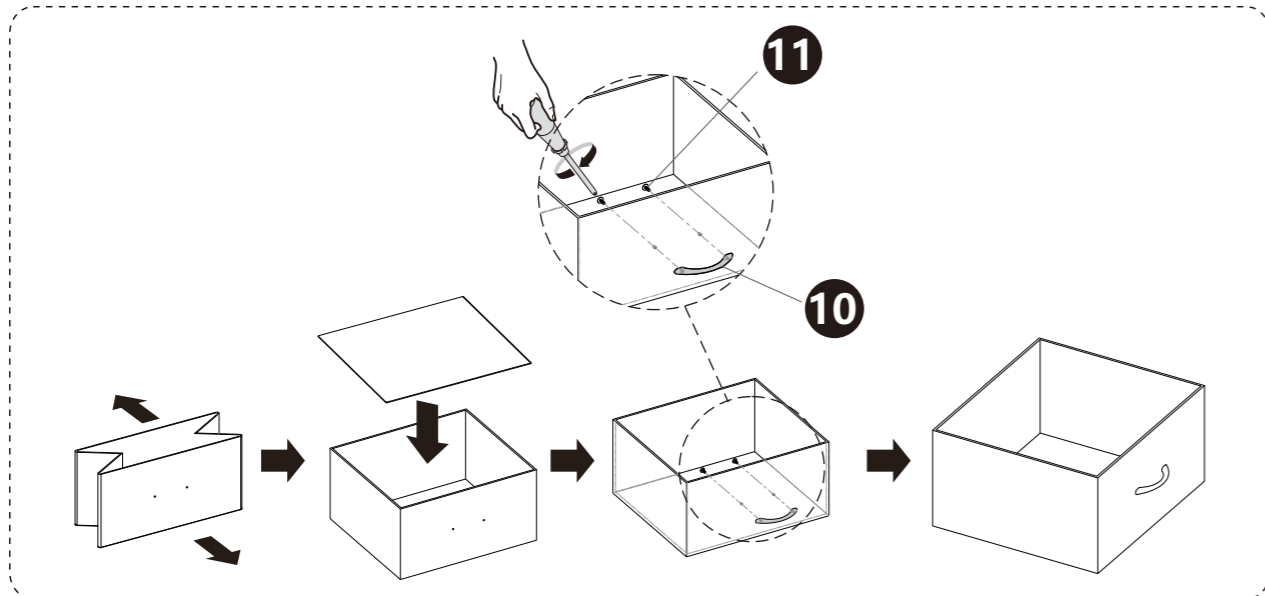
09

dx4	ex1
	

Option B | On The Right



08



10

