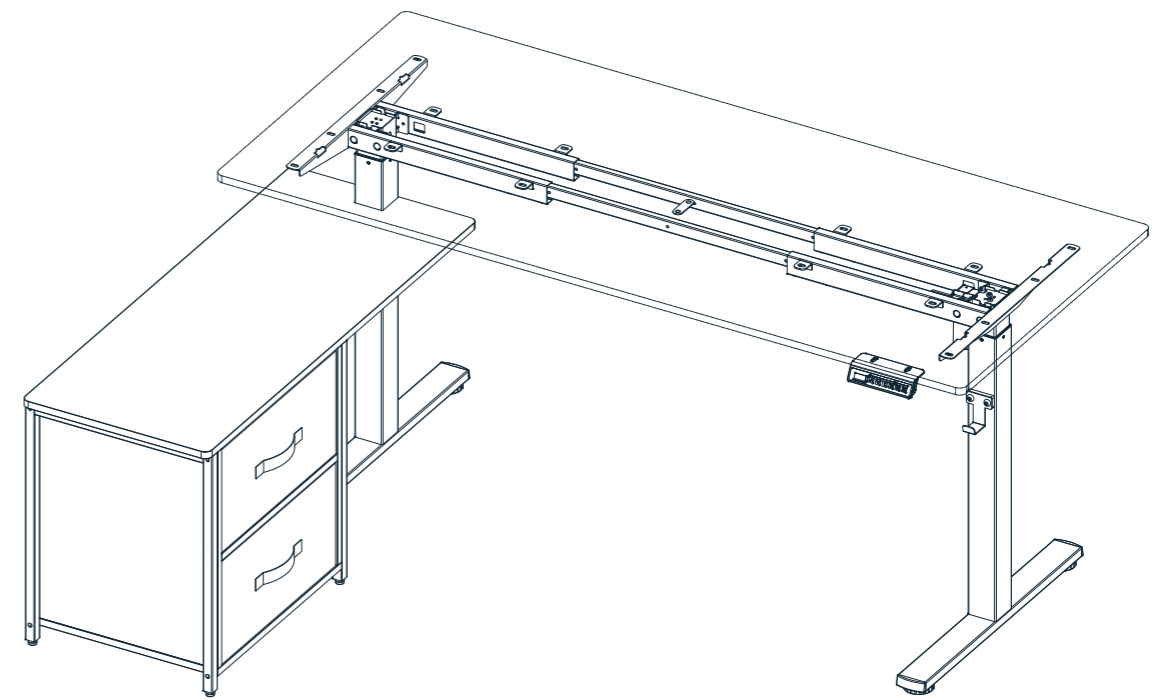
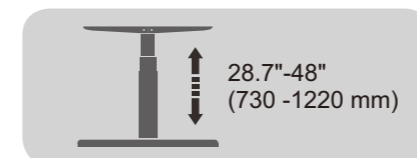


Item No. FL1W User Manual



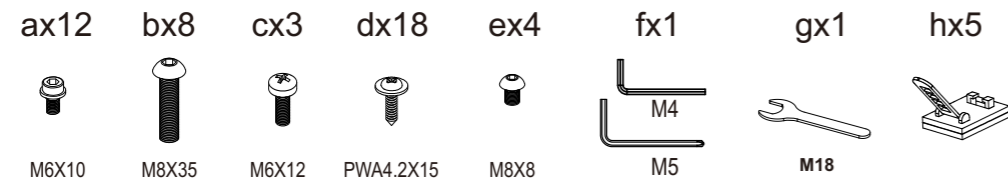
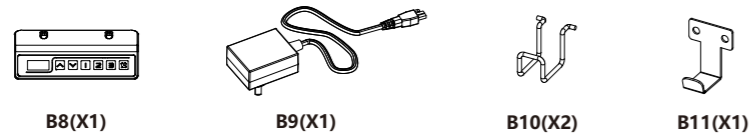
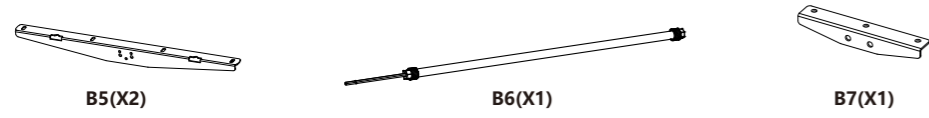
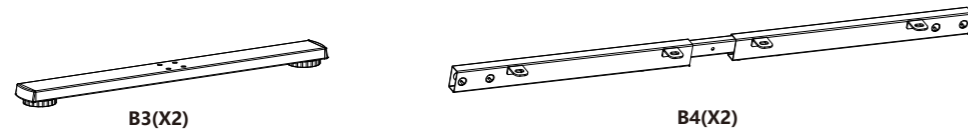
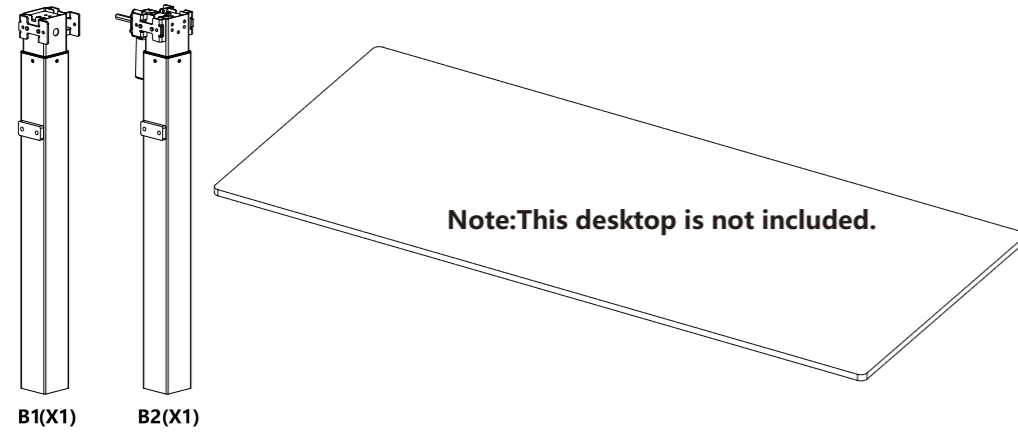
Website: www.flexispot.com
Tel: 1-855-585-5618
Address: 6475 Las Positas Rd. Livermore, CA 94551



Product List

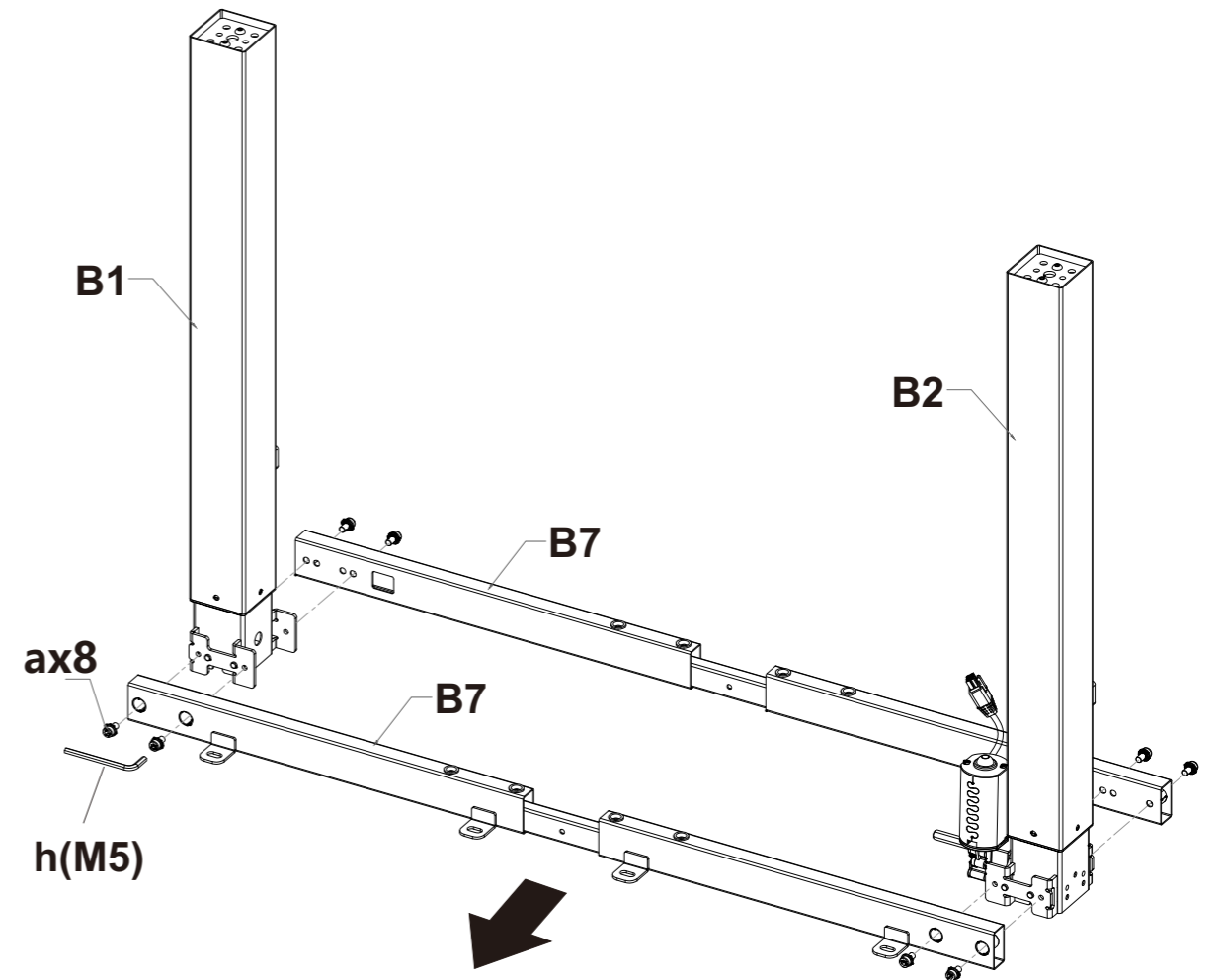
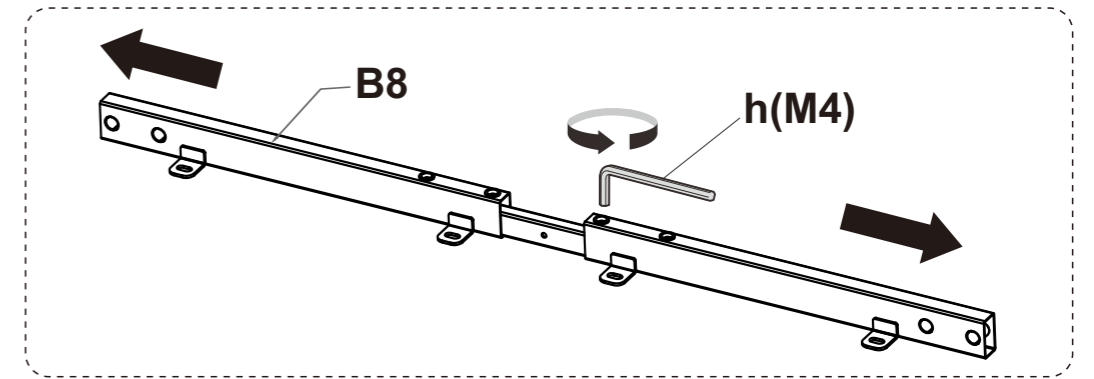
Accessory Package

Note: The following line drawings are for reference only and in some cases may be different from the actual part; please refer to the actual part. If you find missing parts or have installation problems, please contact customer service.

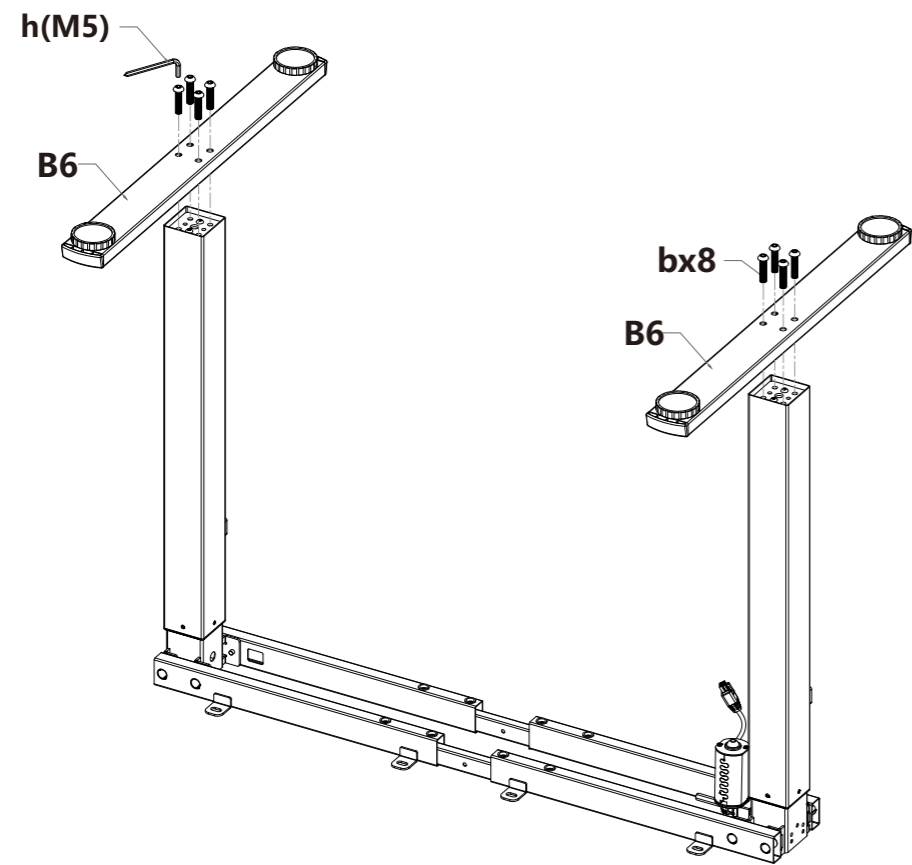


Assembly Steps

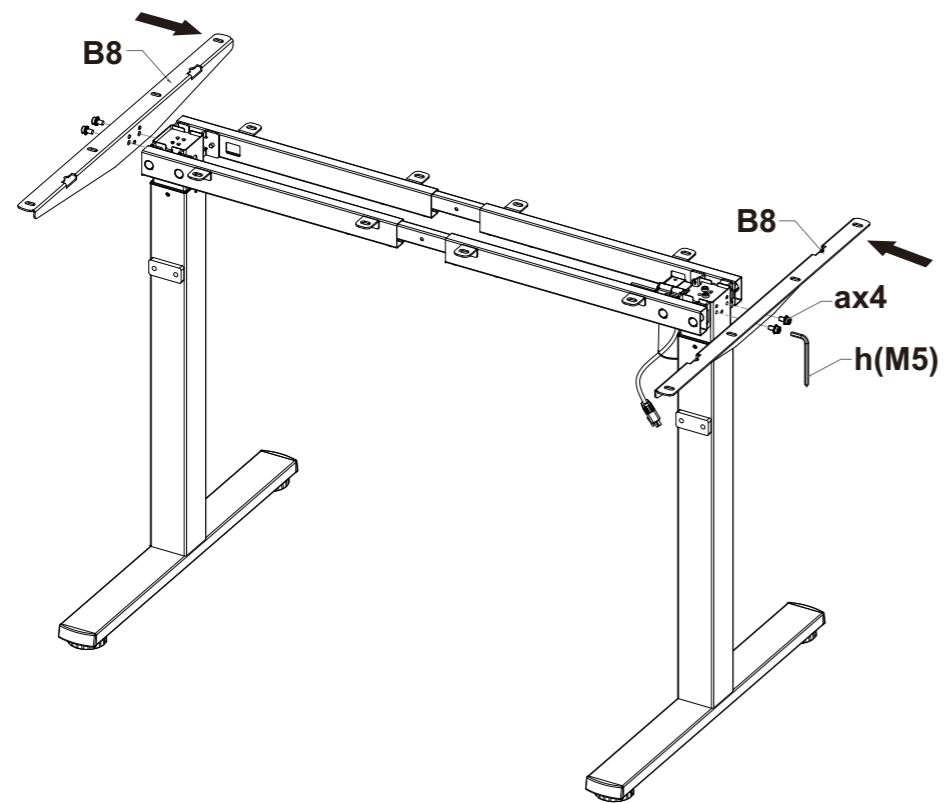
01



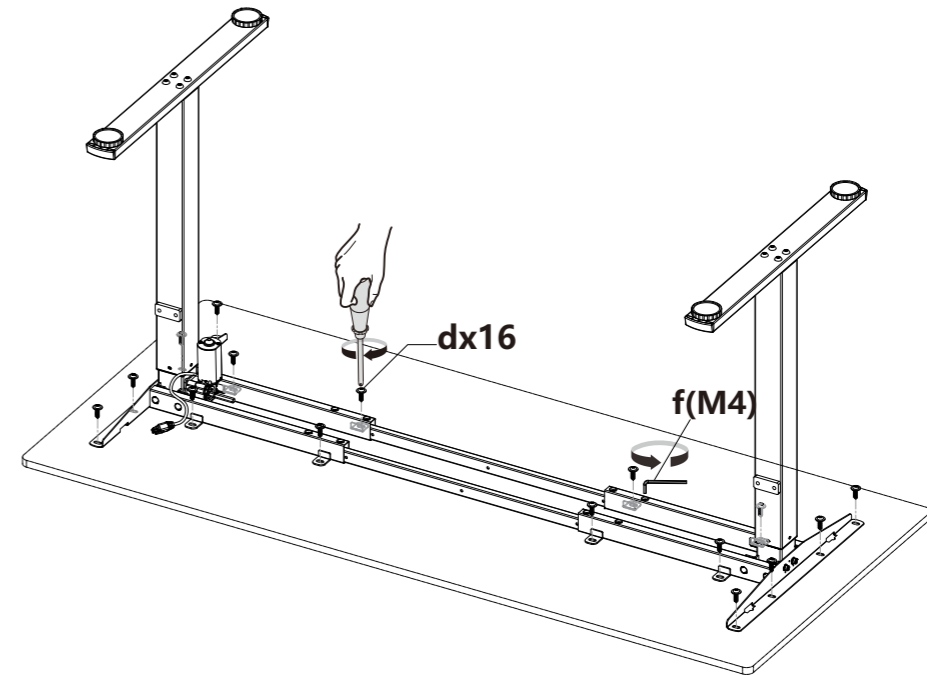
02



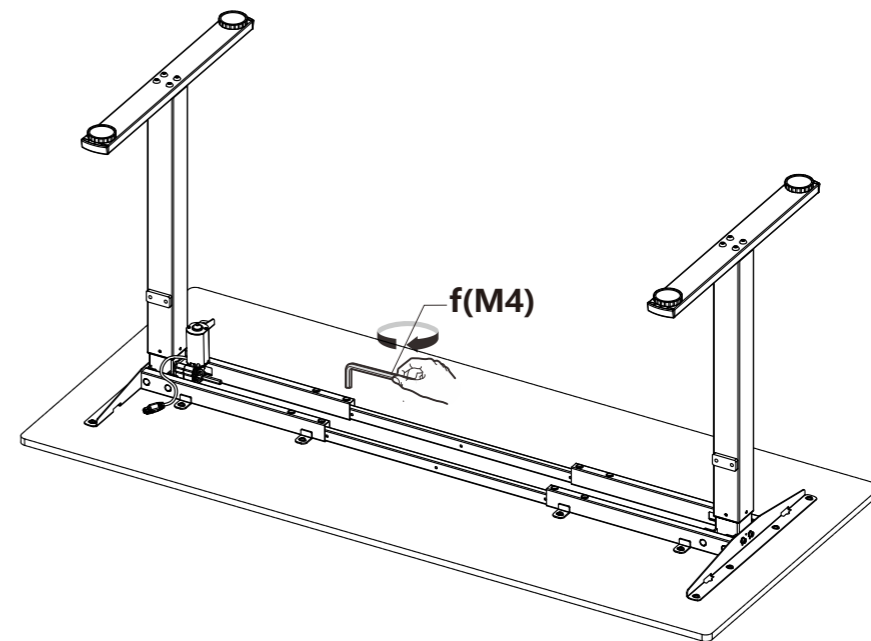
03

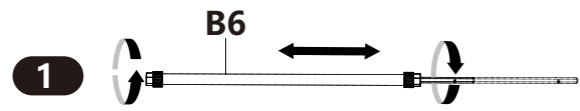


04

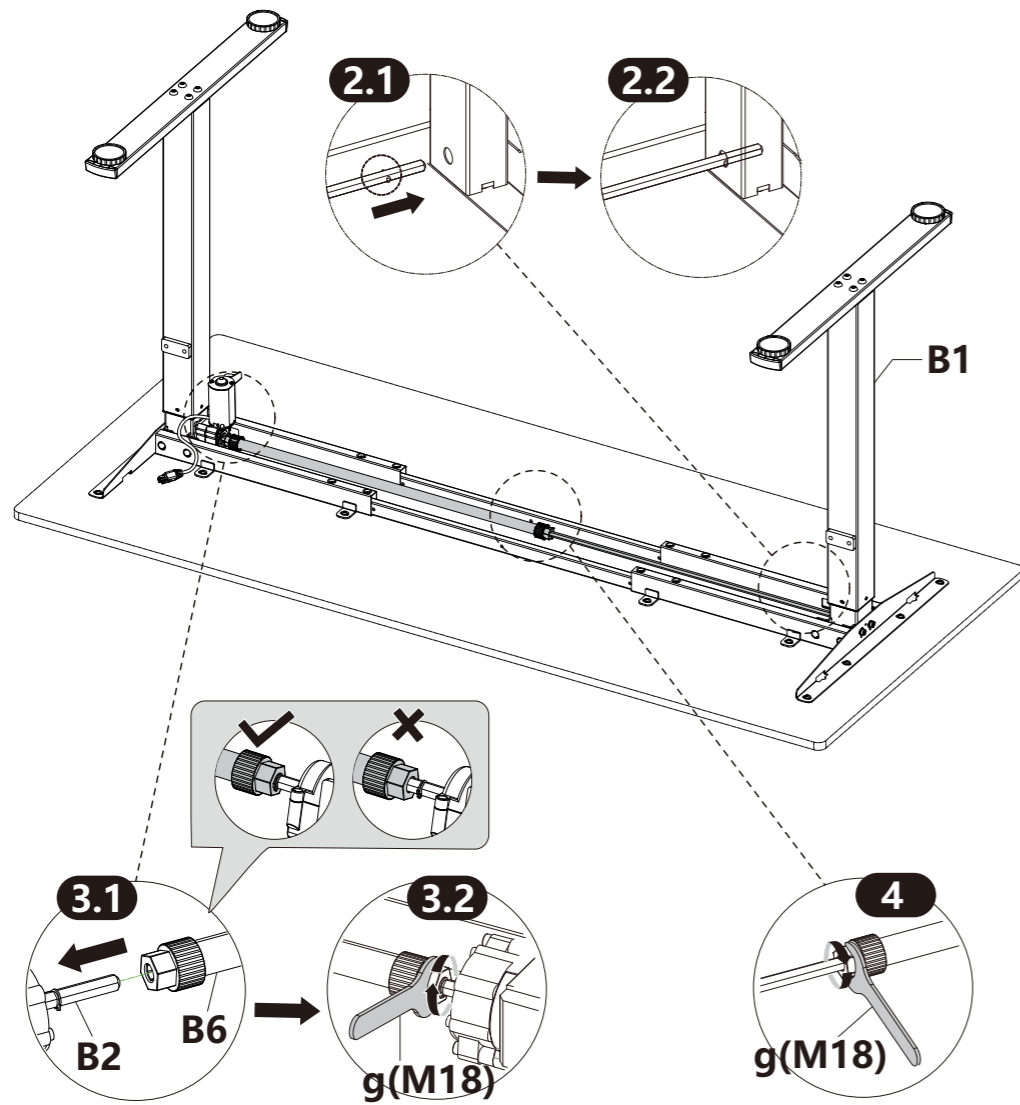


Note: Please pre-install 16 number “d” screws to the corresponding hole position, and then tighten them all in turn, finally use the “f(M4)” wrench to tighten the crossbar.

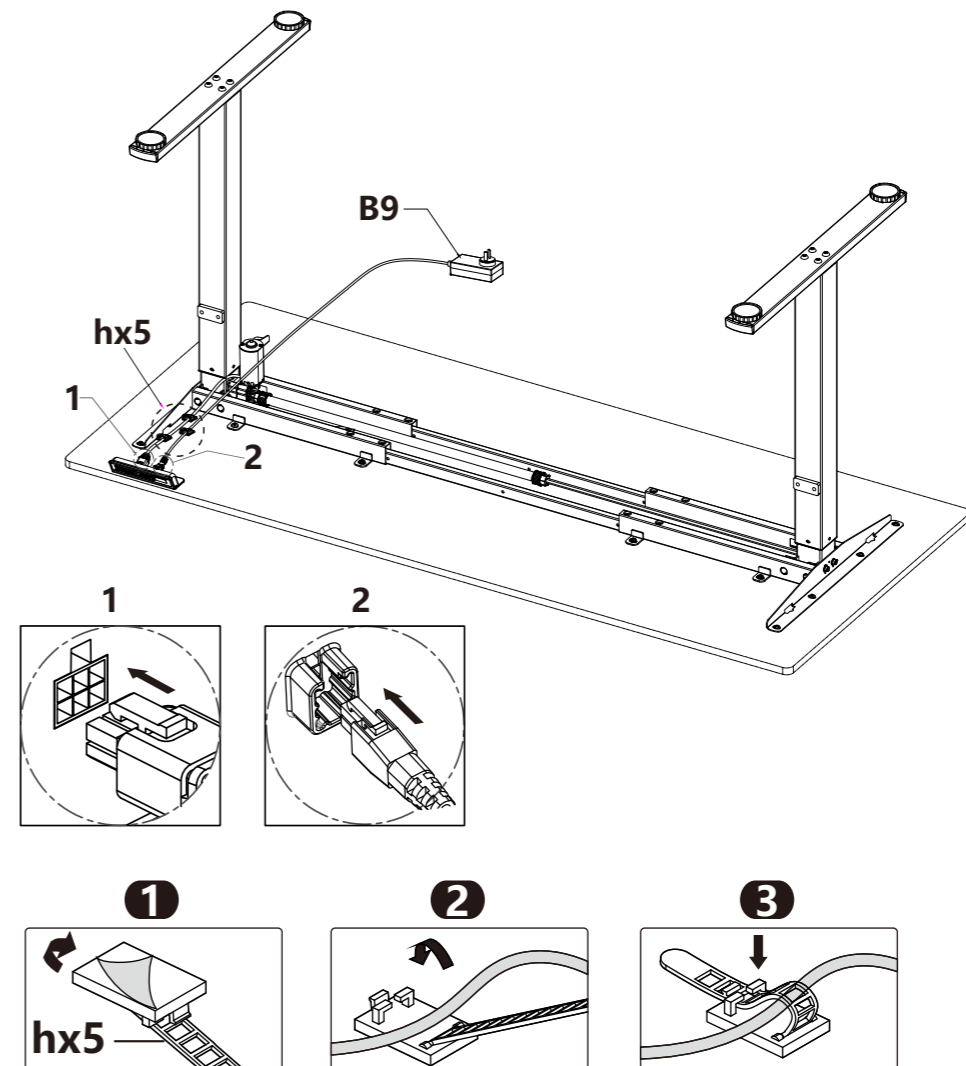
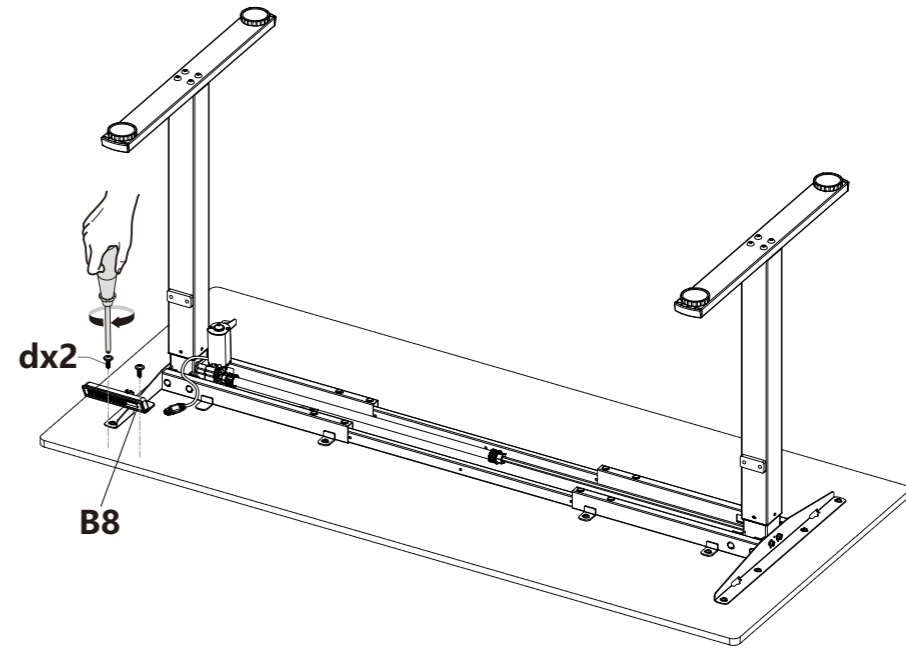


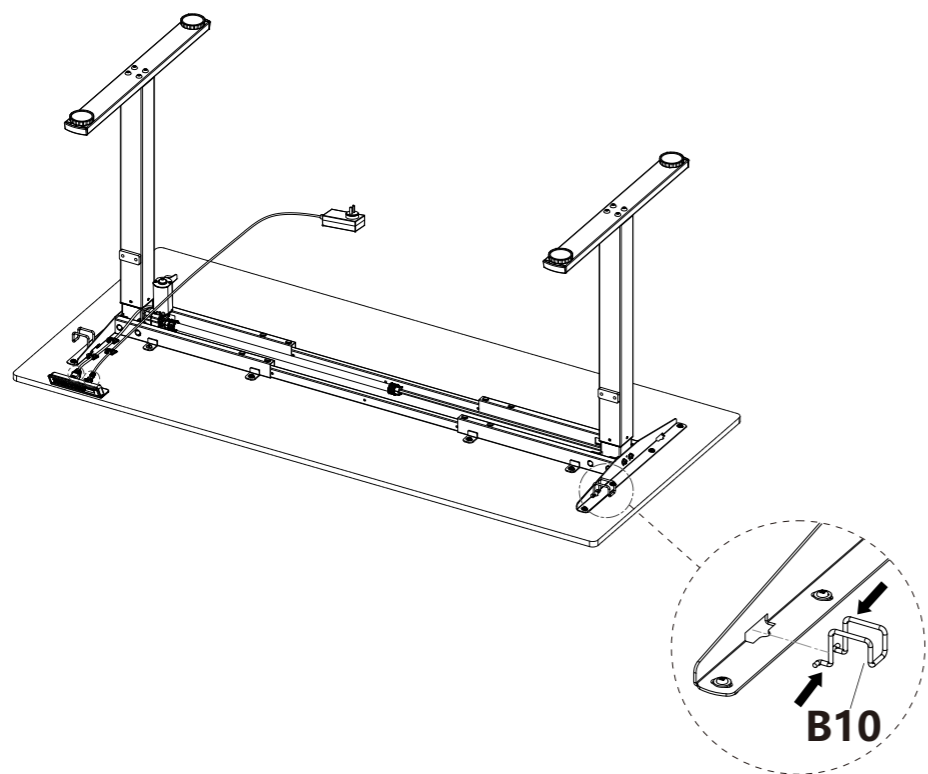


! Insert the Drive Rod (B6) into the Leg (B1) UNTIL THE PROTRUSION IS STUCK.

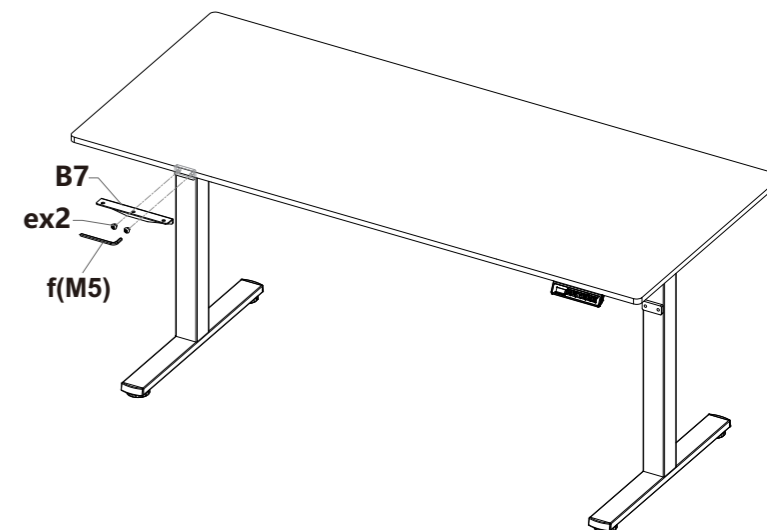
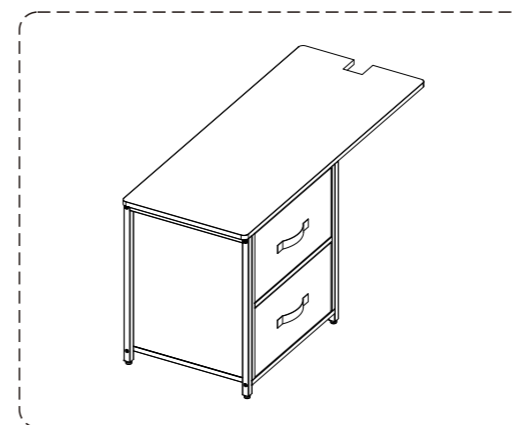
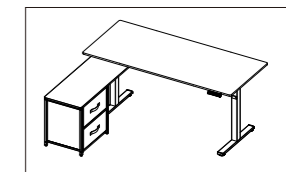


! Make sure the protrusion is stuck. Otherwise, the left side of the desk will not go Up/Down when you adjust the height.





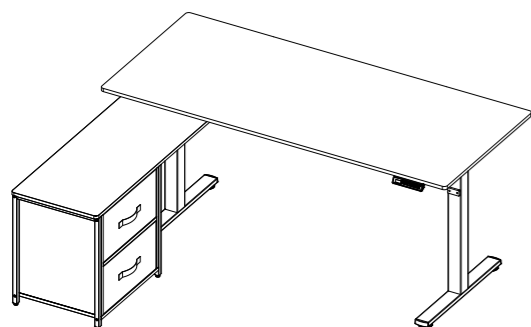
Option A | On The Left



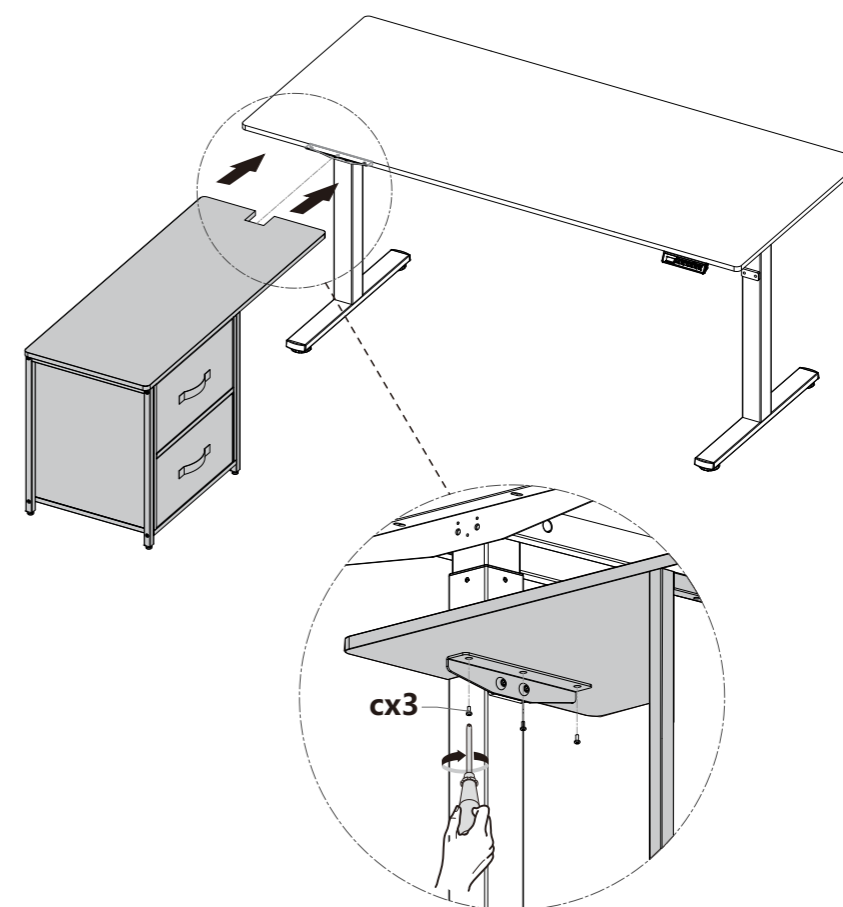
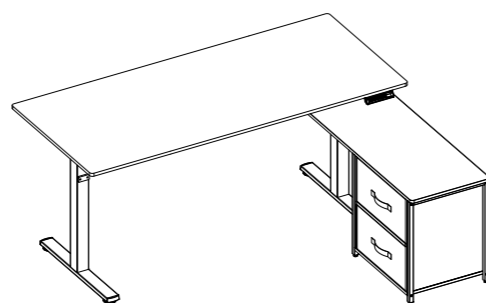
Assembly Options

The side cabinet can be installed on the left or right side of the desk. Please select an option and proceed with assembly.

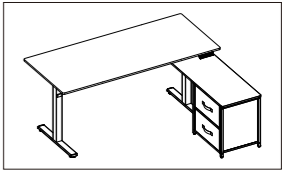
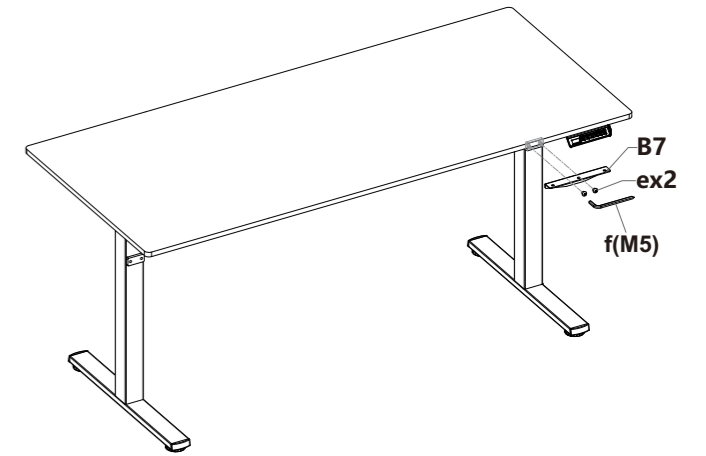
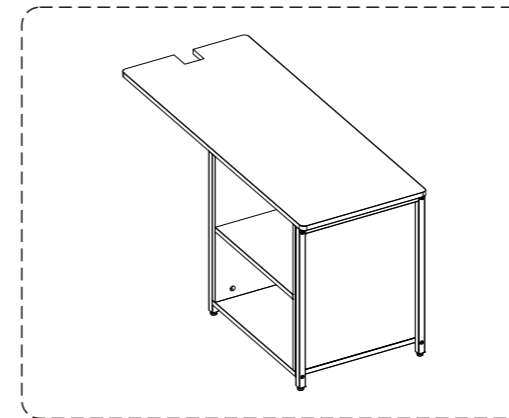
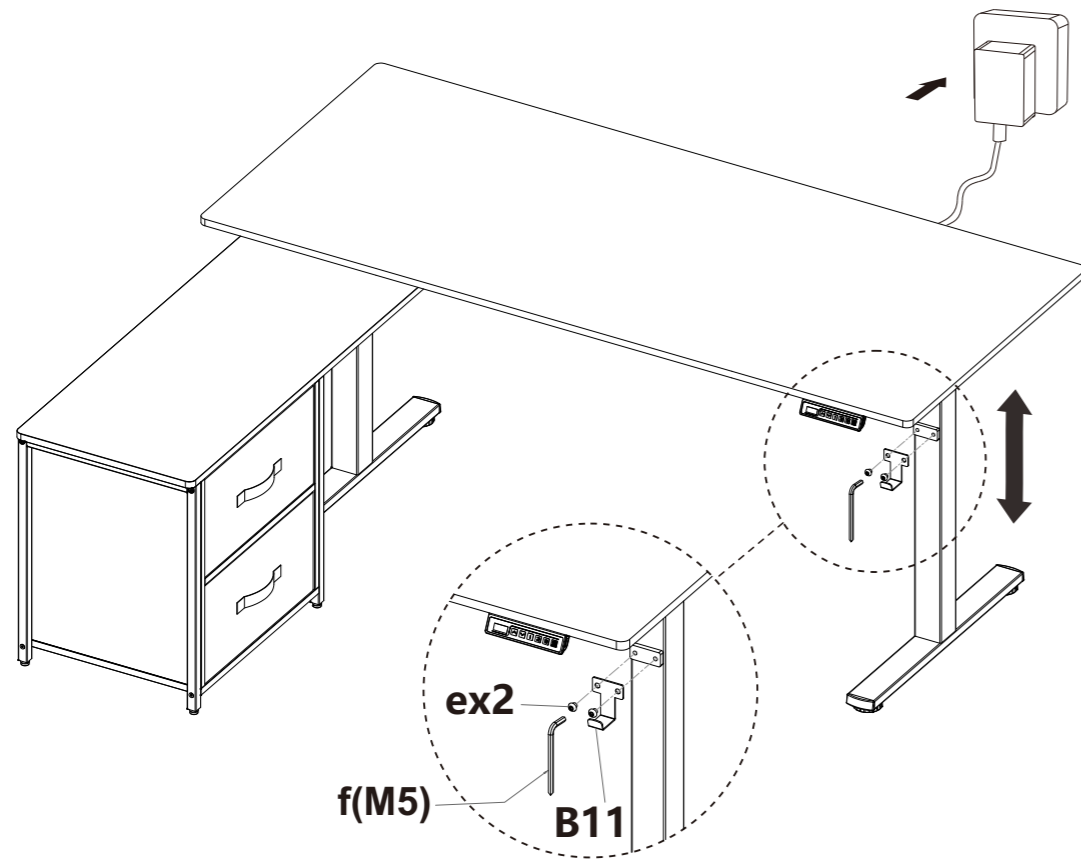
Option A | On The Left



Option B | On The Right



Option B | On The Right



! IF THE LEFT SIDE DOESN'T GO UP/DOWN WHEN USING THE DESK, GO BACK TO STEP 5. MAKE SURE THE DRIVE ROD IS INSTALLED CORRECTLY.

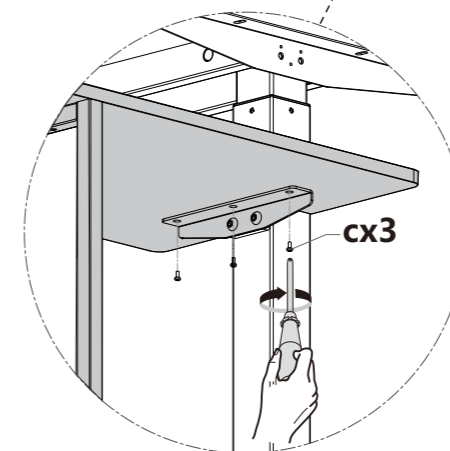
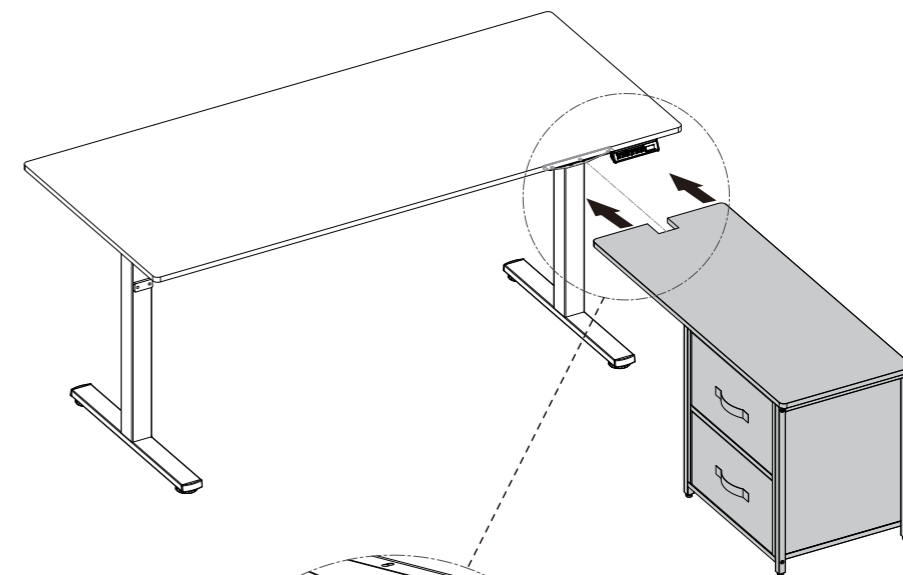
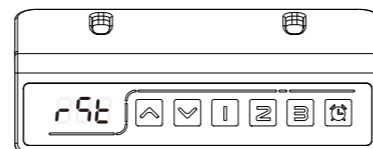
IMPORTANT! You must Reset the desk prior to use:

Press and hold the "☑" button on the Handset until the desk reaches its lowest height. Release the "☑" button.

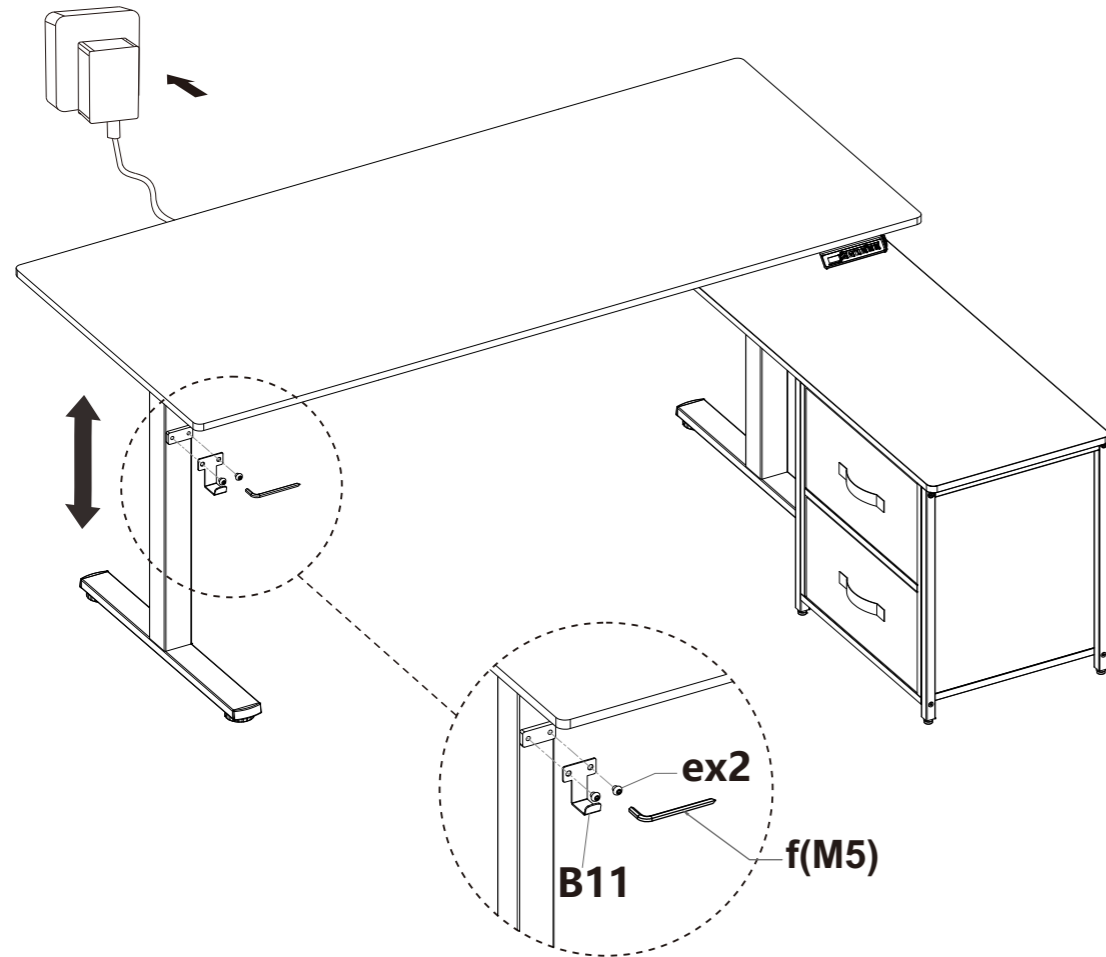
Press and hold the "☑" button again for more than 3 seconds until "r 5t" is displayed. Release the "☑" button.

Press and hold the "☑" button until the desk lowers a little bit more, slightly rises and stops. Release the "☑" button. The handset will then display the current height.

Your desk is now ready to use.



Keypad User Guide



IF THE LEFT SIDE DOESN'T GO UP/DOWN WHEN USING THE DESK, GO BACK TO STEP 5. MAKE SURE THE DRIVE ROD IS INSTALLED CORRECTLY.

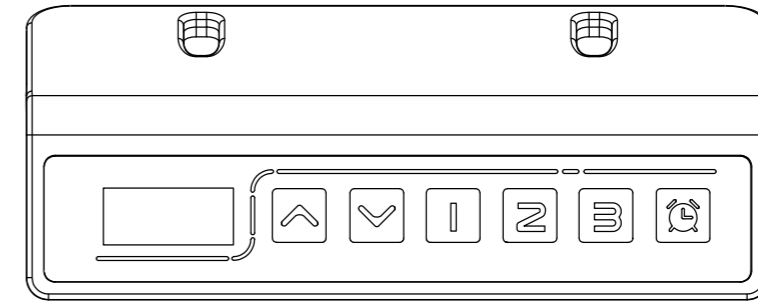
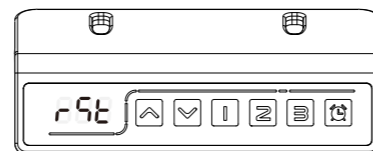
IMPORTANT! You must Reset the desk prior to use:

Press and hold the "⏏" button on the Handset until the desk reaches its lowest height. Release the "⏏" button.

Press and hold the "⏏" button again for more than 3 seconds until "rSE" is displayed. Release the "⏏" button.

Press and hold the "⏏" button until the desk lowers a little bit more, slightly rises and stops. Release the "⏏" button. The handset will then display the current height.

Your desk is now ready to use.



Lifting Function

Press the "⏏" button, the desk will rise automatically and stop automatically when it rises to the highest point. Press the "⏏" button, the desk will descend and stop automatically when it descends to the lowest point.

Memory Mode

To store a certain height in the controller's memory, press the "1" button for more than three seconds. "5-1" will be displayed, indicating that the current height has been saved to the "1" button successfully. Repeat the process using buttons "2", "3".

Reset Mode

1. If the height of the desk is incorrect, press the "⏏" until the desk moves to the fully lowered position. Press and hold the "⏏" again for at least three seconds and release. "rSE" will be displayed.

2. If the system displays "Err1", press and hold the "⏏" for more than three seconds and release. "rSE" will be displayed, then continue the reset operation.

Child Lock

TO LOCK: Press and hold the "⏏" and the "⏏" simultaneously for five seconds until the LED reads "Loc".

TO UNLOCK: Press and hold the "⏏" and the "⏏" simultaneously for five seconds until the LED switches from "Loc" to the height display.

Sedentary Reminder Operation

Each time the "🕒" key is pressed, the digital display will increase by 0.5 hours (0.5h), up to 2 hours (2.0h). After the display screen flickers for 4 seconds, the setting is successful.

The current time countdown starts, when the time is up, the buzzer will beep 5 times in a row, and then it will automatically exit the timer.

Collision Avoidance Settings

Press and hold the "1" and "2" buttons together for more than 20 seconds to enter the Collision Avoidance Settings Mode. Use the "⏏" or "⏏" buttons to adjust the sensitivity level. Once the sensitivity has been selected, press the "1" and "2" arrows again for more than 20 seconds to save the setting.

Collision Avoidance Sensitivity Levels: 0-9

0: Turn off collision avoidance.

1-9: Level 1 is the lowest sensitivity and level 9 is the highest.

Attention

ADVANCED SETTING

Press and hold the "1" button and the "2" button simultaneously for 20 seconds until the LED flashes. The menu contains 7 items as the table below. Press on "▲" or "▼" to perform settings respectively ;press and hold the "1" button and the "2" button for no less than 5 seconds until the "888" is displayed to have current setting saved.

Menu	Setting Range	Remarks
Minimum Height	73cm-112cm (28.7"-44.1")	The setting value should be at least 10cm (3.9") less than the Maximum Height.
Maximum Height	83cm-122cm (32.7"-48.0")	The setting value should be at least 10cm (3.9") less than the Maximum Height.
Starting Height	0cm-30cm (11.8")	Increase the Starting Height to the current height range.
Upward Anti-Collision	U-0 U-9	0 shut down 1~9: The higher the number, the higher the sensitivity.
Downward Anti-Collision	d-0 d-9	0 shut down 1~9: The higher the number, the higher the sensitivity.
Display Decimal Point	F-0	The decimal point is not displayed.
	F-1	The decimal point is displayed.
Display Unit	L-0	Change the display to show height in centimeters.
	L-1	Change the display to show height in inches

- Power supply: AC100 - 240 V, frequency 50/60HZ;
- Working environment: 32° - 104° F;
- Before cleaning, you have to unplug the power supply cable. Clean with a slightly damp cloth to wipe away the surface dust. Keep all electrical components away from liquids. Do not damage the connection line and keep the plug in a safe position.
- Inside the control box, there are electronic components, metal parts, plastic parts, wires and so on. They should be disposed in accordance with the local laws and regulations. They cannot be disposed as household waste.
- Before using the product, please make sure the product has been installed correctly.
- Before starting use of the product, please read the instructions to fully understand all the product's functions and settings.
- Keep children away from electric height-adjustable desks, control units and handsets. Manufacturer is not responsible of any damages that result from children's unpredictable behaviour.
- Slight noise caused by the multi wedge belt or brake system will not impact the use of this product.
- Do not use corrosive or abrasive materials to clean this product and please dispose of cleaning solutions in an environmentally friendly manner.
- Understand the risks associated with using this product. Children or those with cognitive impairment should not use this product without supervision.
- If the power supply cord is damaged or broken, it must be replaced by the manufacturer or a relevant specialist to avoid any injuries.
- Please operate in a clean and safe environment. For example, do not left around your tools. And always be careful to deal with packaging materials, in order to avoid any kinds of possible danger. Potential choking risk exists when children play with plastic bags!
- If necessary, retain the original package for future transportation.

TROUBLE SHOOTING

Error Code	Description/Resolution
Err	Press the and hold the down arrow to perform a reset.
hot	The desk is overheated. Allow the desk to rest for more than 18 minutes before operating.

Recycling and Disposal

This product cannot be disposed of as household waste. To prevent damage to the environment, this product should be recycled. Please use the relevant recycling systems available to you or contract the distributor or manufacturer for recycling assistance.