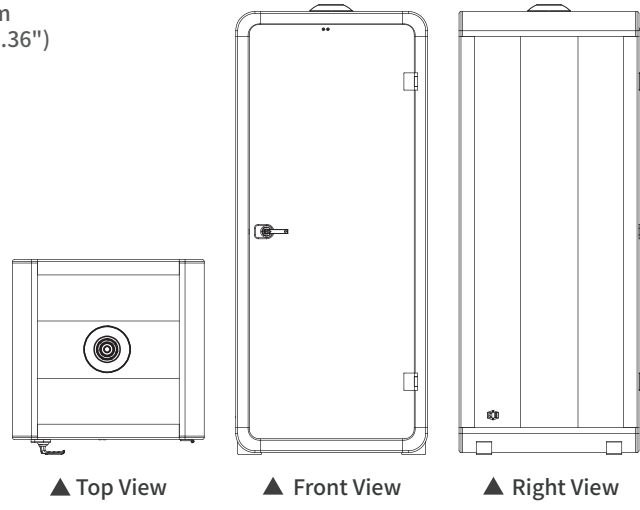


PRODUCT SPECS



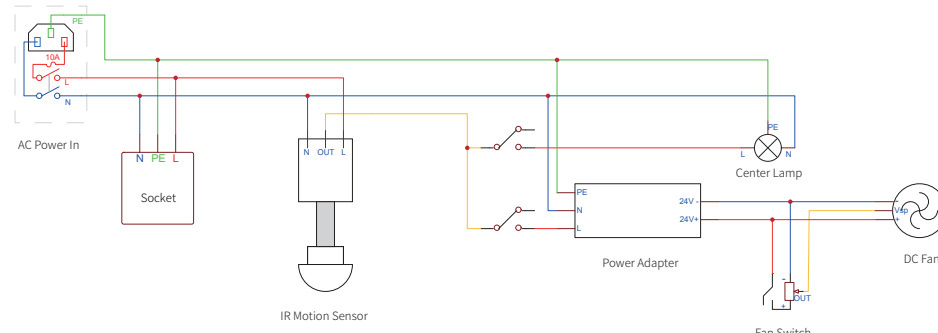
External size:
W1000*D936*H2346mm
(W39.37**D36.85**H92.36")



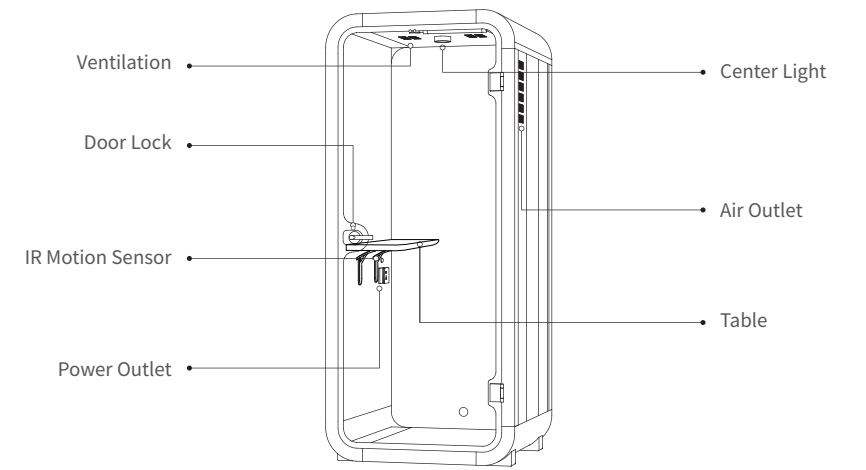
READ BEFORE START

- Thanks for choosing our product, please mind these tips below during the installation:
1. Two people should be prepared for the installation.
 2. Please use cushioning material for stacking parts after unboxing in case of damaging floor or product.
 3. Please don't scratch any piece with a sharp tool.
 4. Please check all listed tools are prepared.
 5. Please check the space for installation is sufficient.
 6. Please follow the step by number to build.

CIRCUIT DIAGRAM



PRODUCT INTRODUCTION



ACOUSTIC POD USER INSTRUCTION

P1F-2

PART LIST

Numbering Rule

A-00	Aluminum
B-00	Carbon Plastic Panel
C-00	Glass
D-00	Metal Hardware
E-00	Upholstery
F-00	Electronics
G-00	Seal Strip
H-00	Accessory
Y-00	Tool

Y-00 Tools

Code	Description	Qty.	Preview
Y-01	Torx Wrench	1	
Y-02	Rubber Mallet	1	
Y-03	Plastic Crowbar	1	
Y-04	Allen Wrench	2	
Y-05	Cross Head Screwdriver	1	
Y-06	Vacuum Handle	4	

Parts for tabletops

Code	Description	Qty.	Preview
A	Bolt	6	
B	Bolt	6	
C	M4 hex key wrench	1	

A-00 Aluminum

Code	Description	Qty.	Preview
A-01	Arc Beam-Upper(L)	1	
A-02	Arc Beam-Upper(R)	1	
A-03	Arc Beam-lower(L)	1	
A-04	Arc Beam-lower(R)	1	
A-05	Front Frame-Upper	1	
A-06	Rear Frame-Upper	1	
A-07	Front Frame-Lower	1	
A-08	Rear Frame-Lower	1	
A-09	Front Frame (L)	1	
A-10	Rear Frame (L)	1	
A-11	Front Frame (R)	1	
A-12	Rear Frame (R)	1	
A-15-22	Corner Cover	8	

B-00 Carbon Plastic Panel

Code	Description	Qty.	Preview
B11-13	Side Panel (L)	3	
B21-23	Side Panel (R)	3	
B31-33	Top Panel	3	
B41-43	Bottom Panel	3	
B51-55	Reinforced Floor Panel	4/5	

C-00 Glass

Code	Description	Qty.	Preview
C-02	Door	1	
C-05	Glass wall-Rear (M)	1	

D-00 Metal Hardware

Code	Description	Qty.	Preview
D-03	Door Handle	1	
D-04	Door Closer	1	

E-00 Upholstery

Code	Description	Qty.	Preview
E-11	Acoustic Panel(L)	1	
E-21	Acoustic Panel(R)	1	
E-31	Acoustic Ceiling Panel(L)	1	
E-51	Carpet	1	

F-00 Electronics

Code	Description	Qty.	Preview
F-01	Power&Switch Panel	1	
F-09	IR Motion Sensor	1	
F-10	Center Lamp	1	

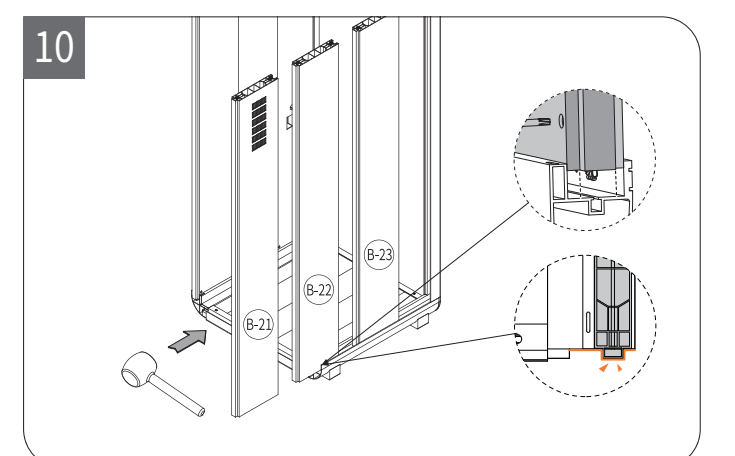
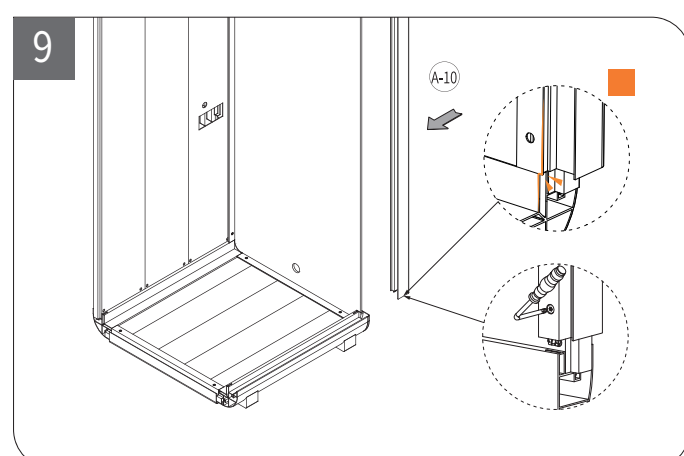
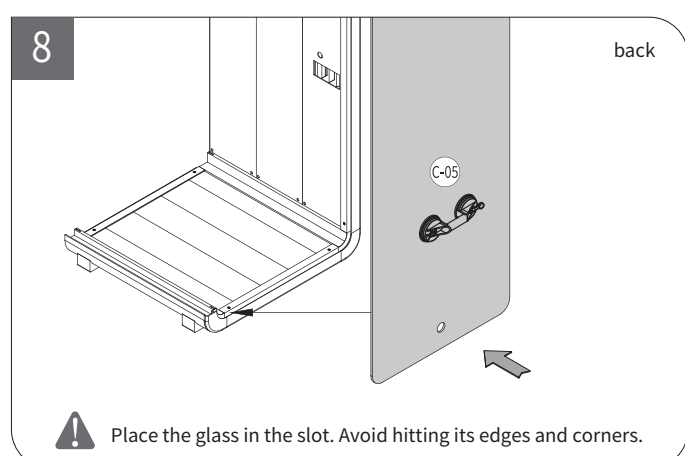
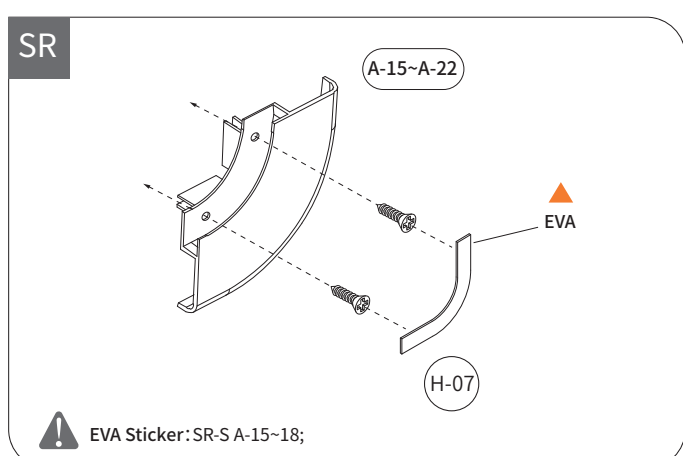
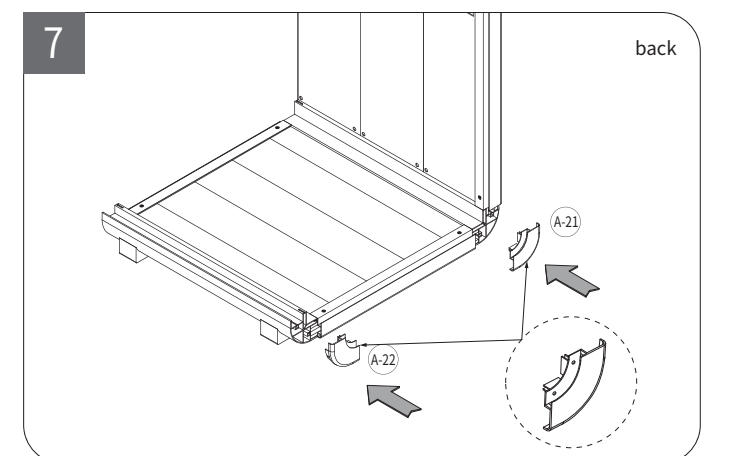
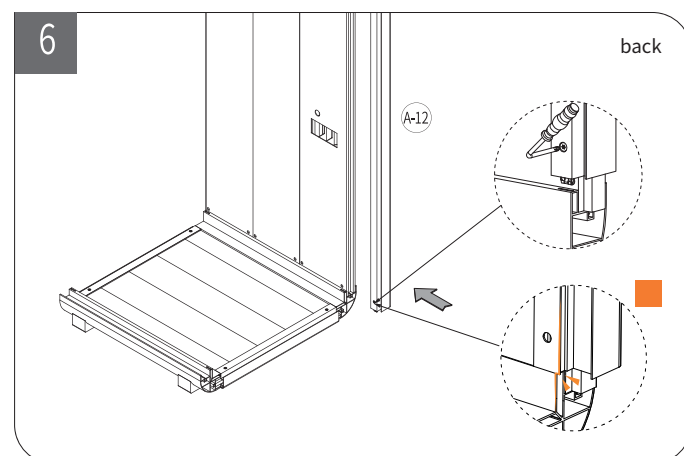
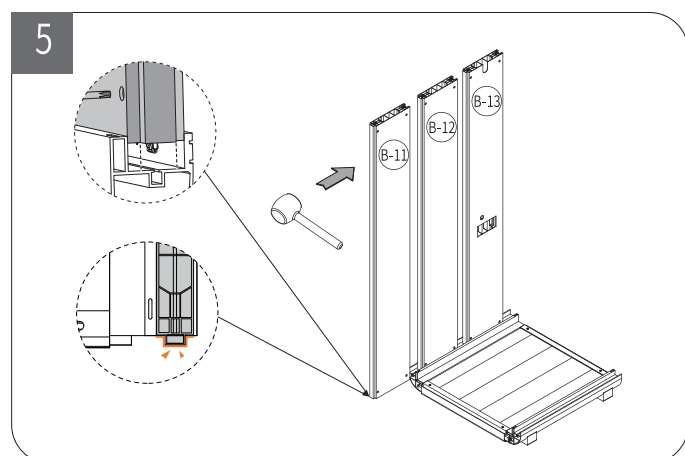
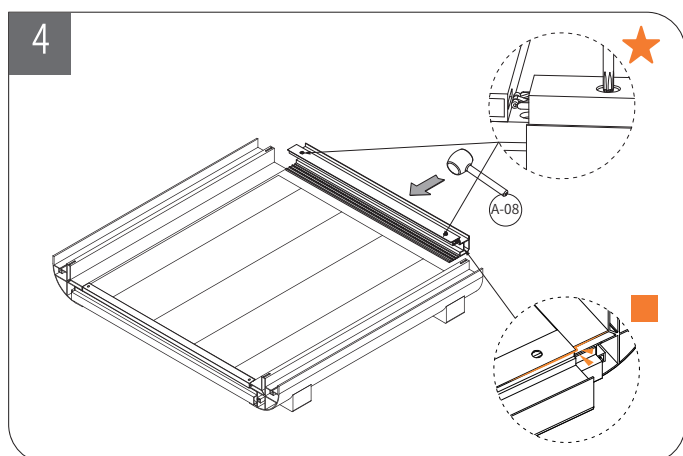
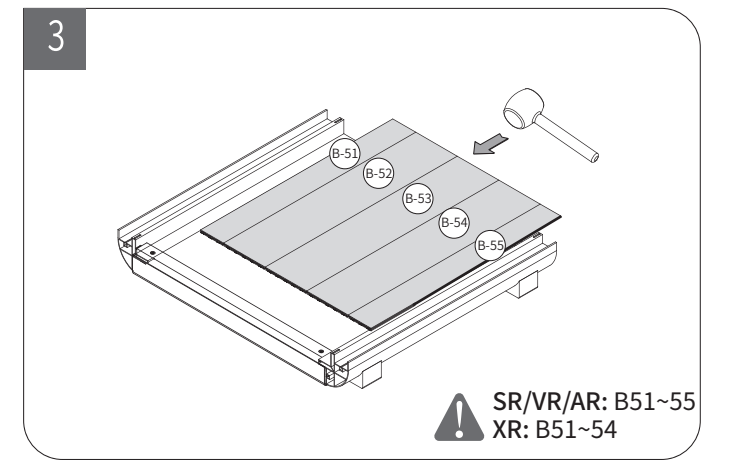
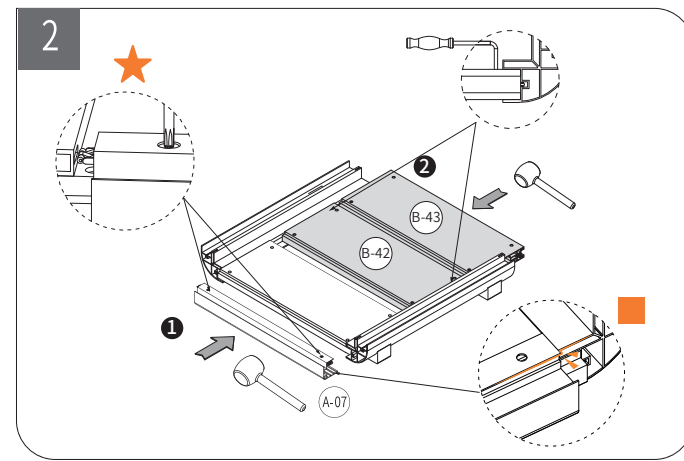
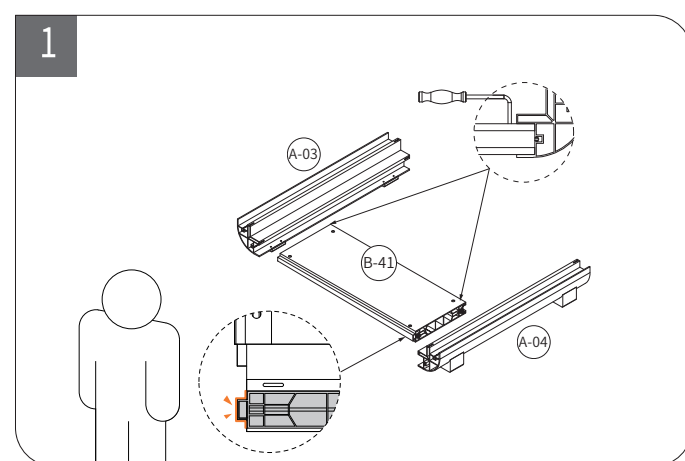
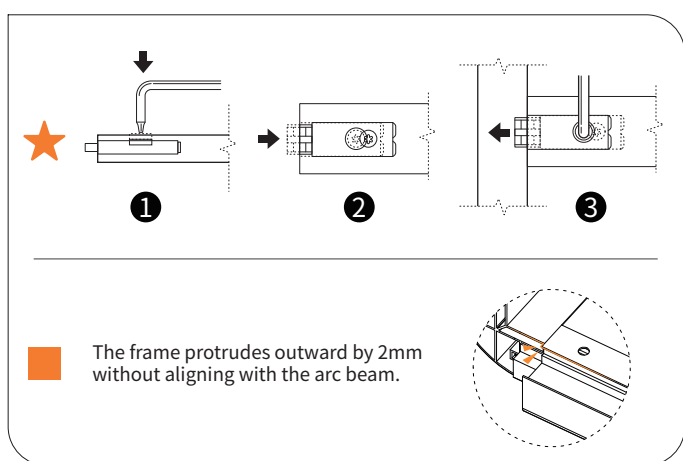
G-00 Seal Strip

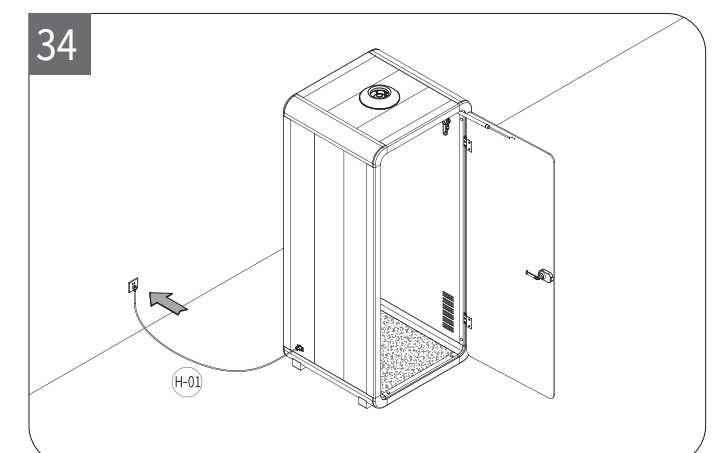
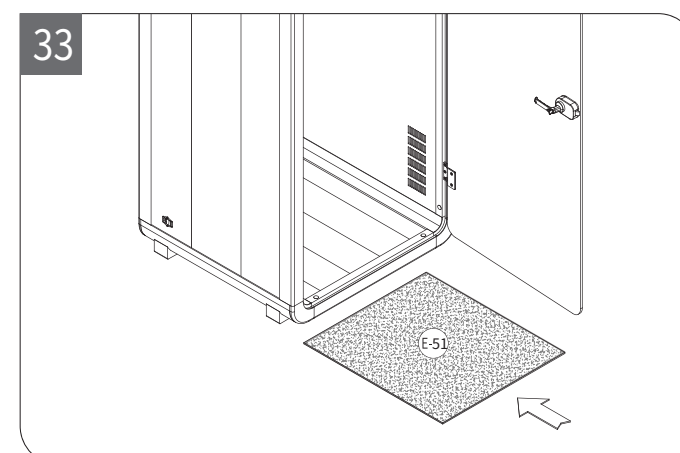
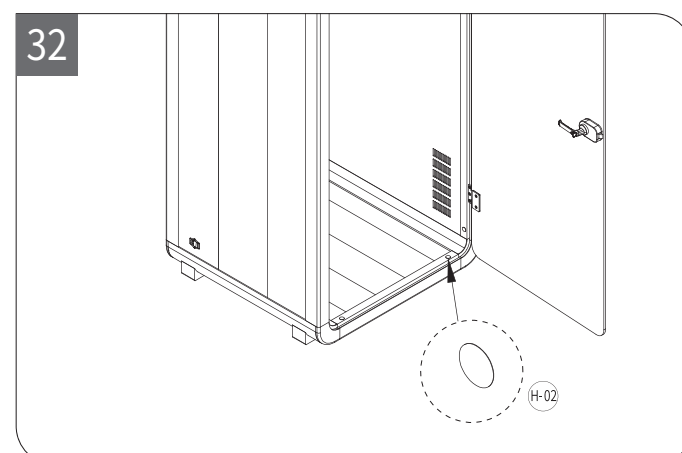
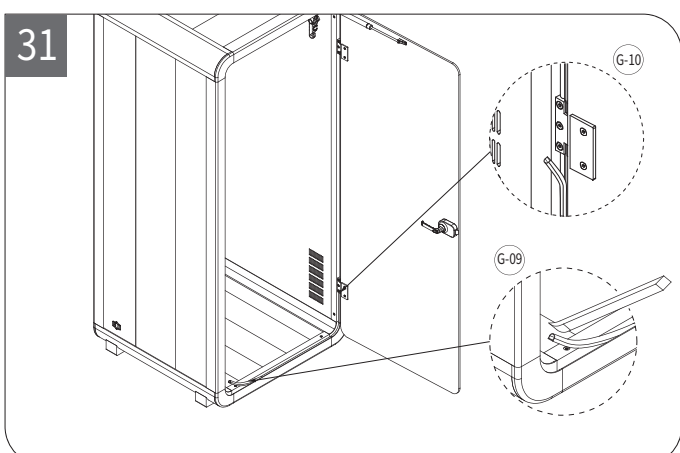
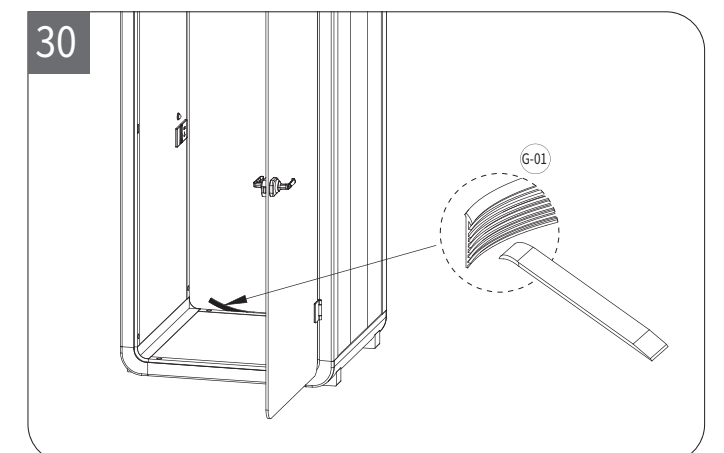
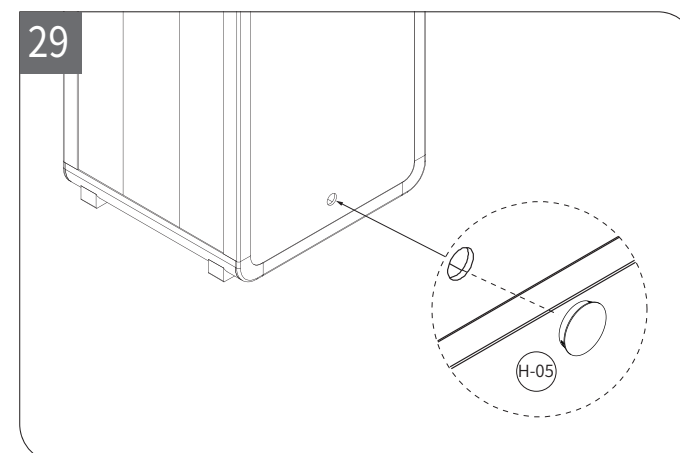
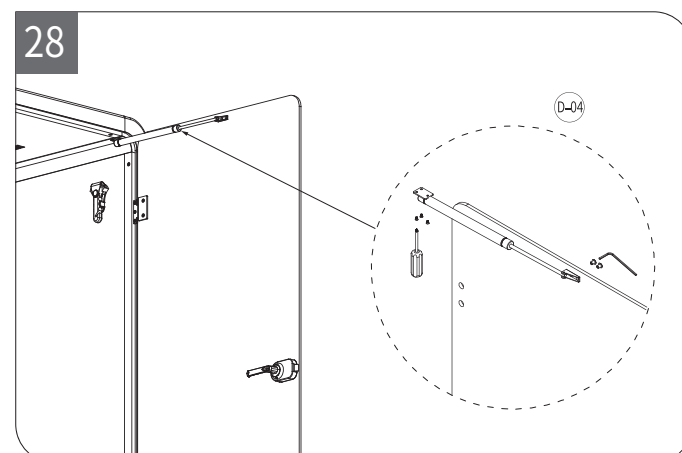
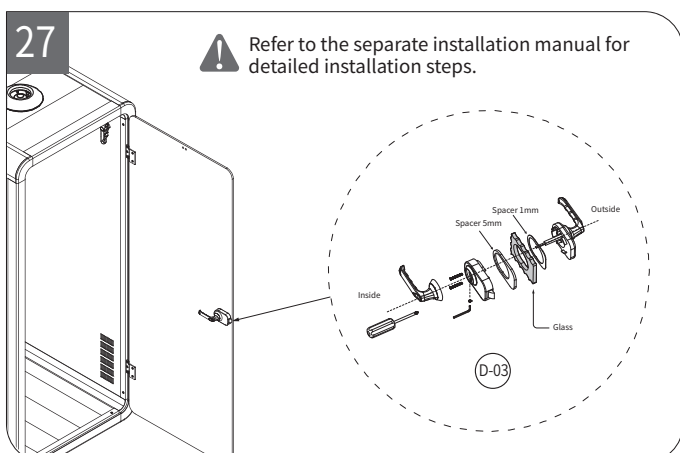
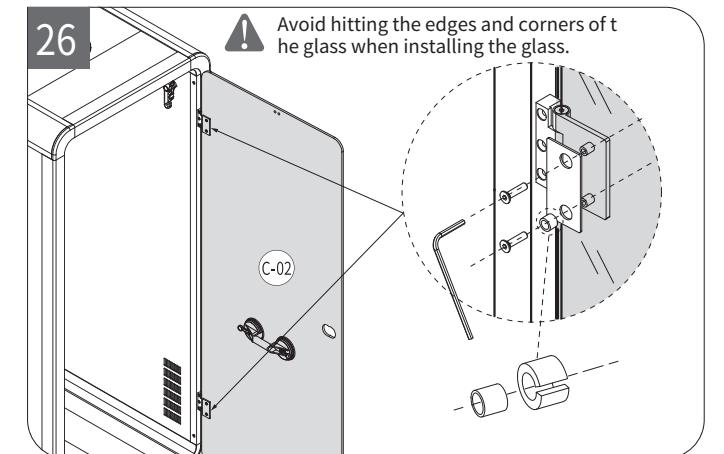
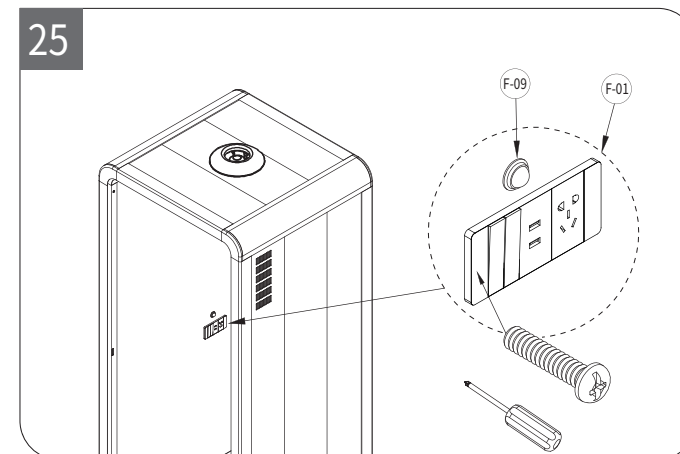
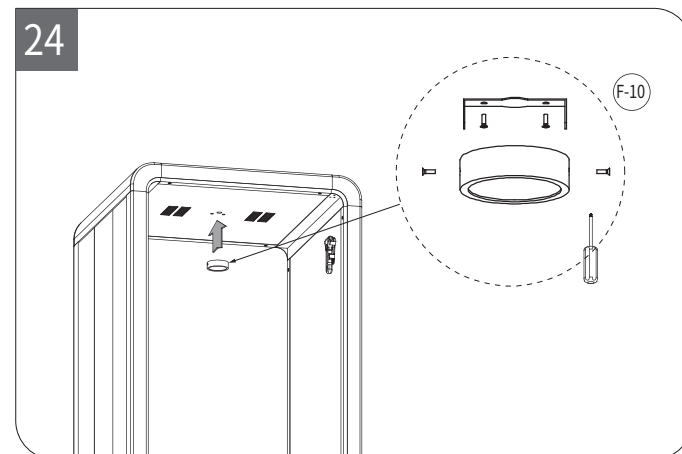
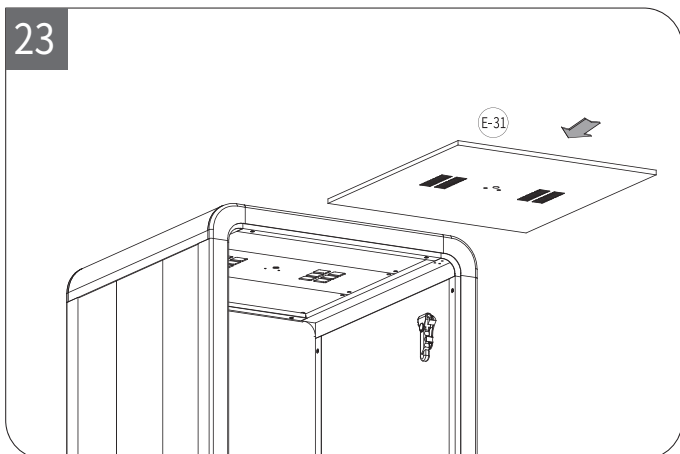
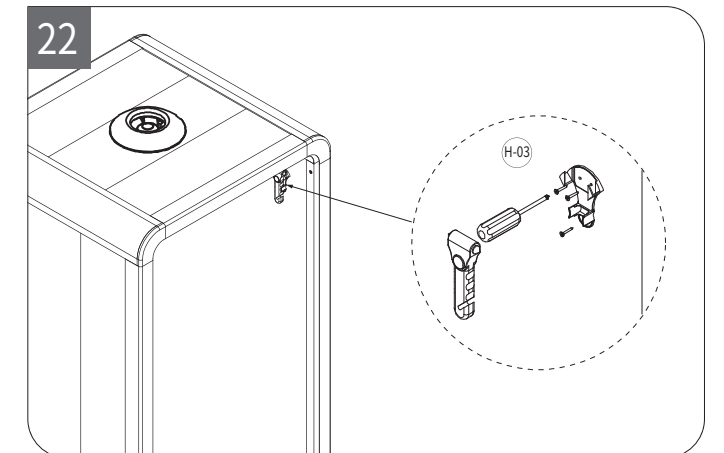
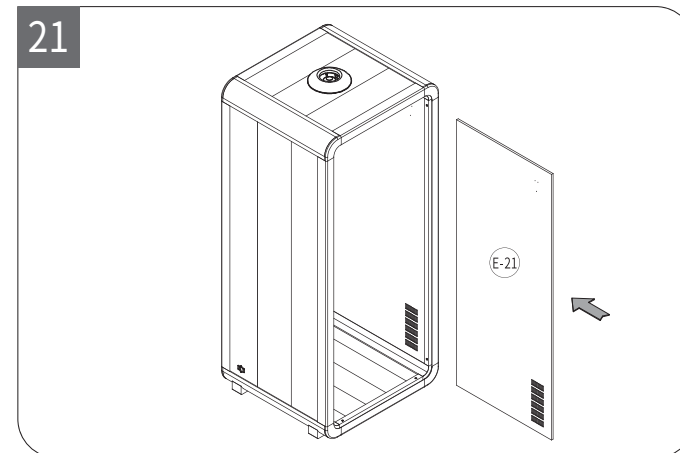
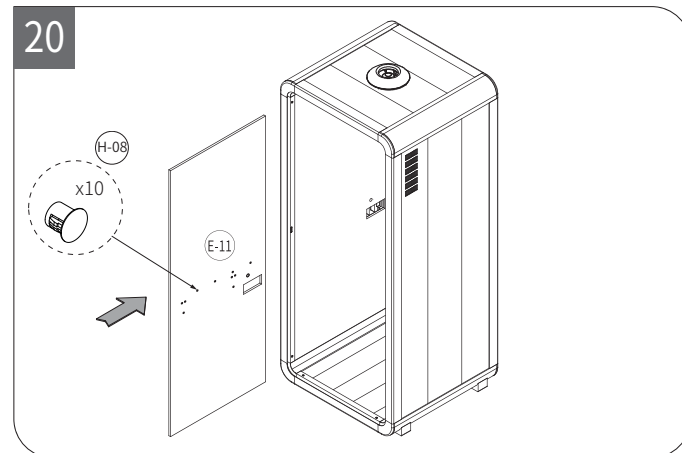
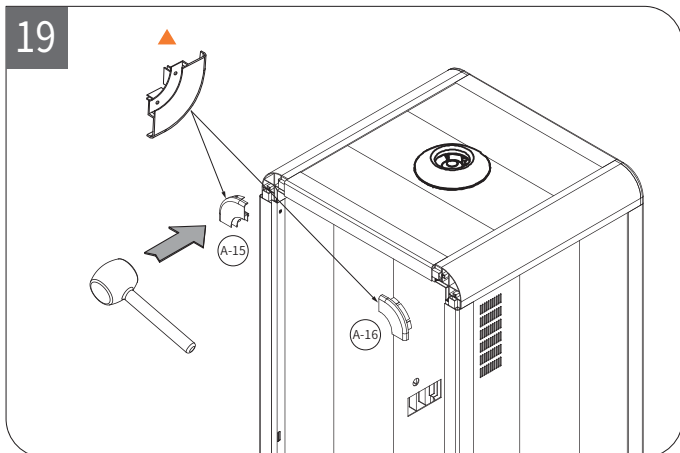
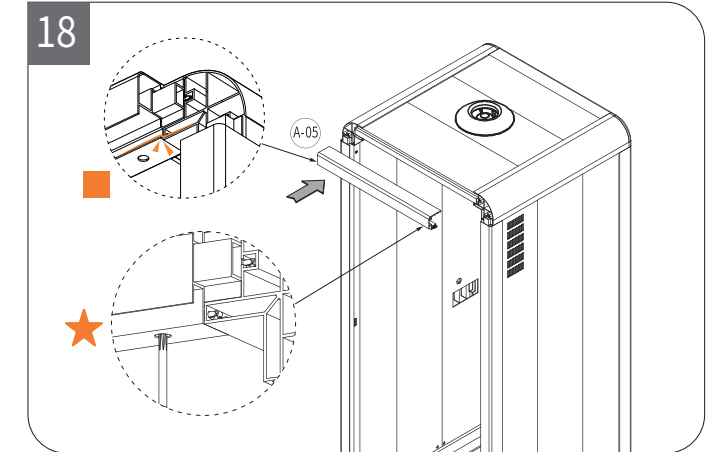
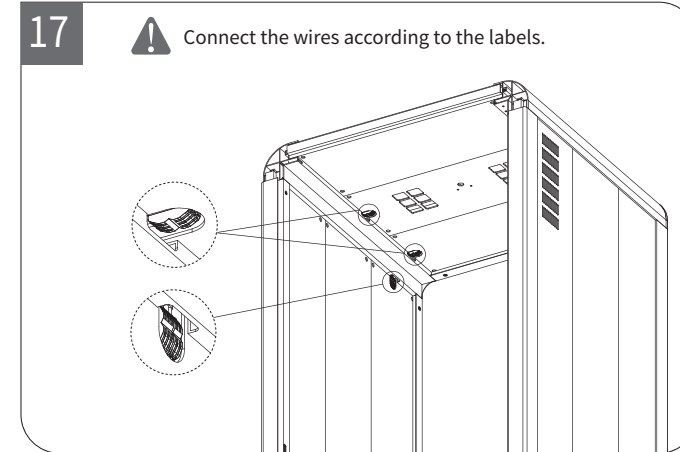
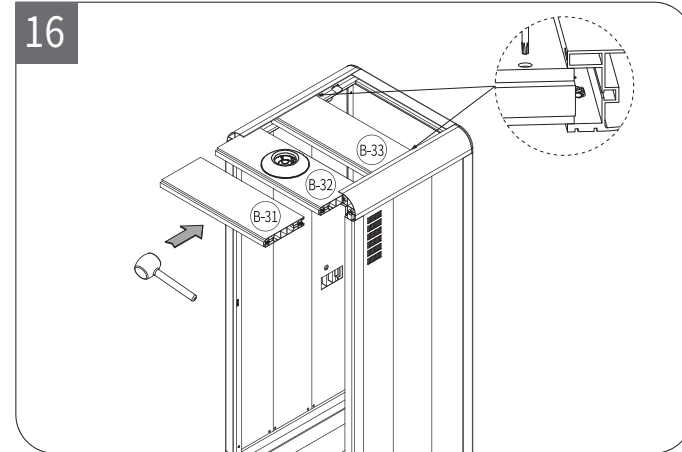
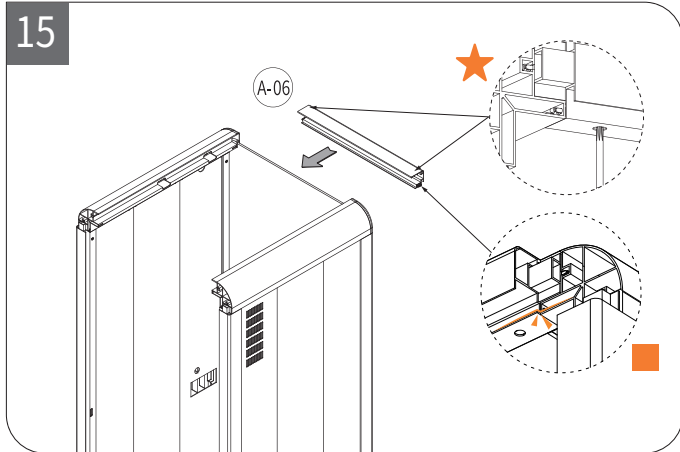
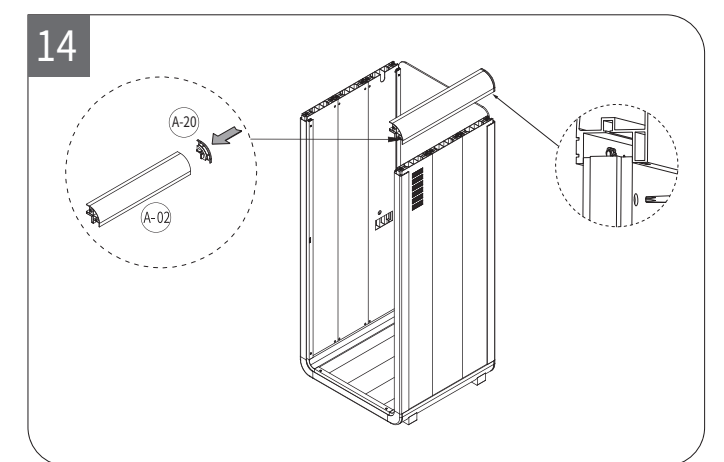
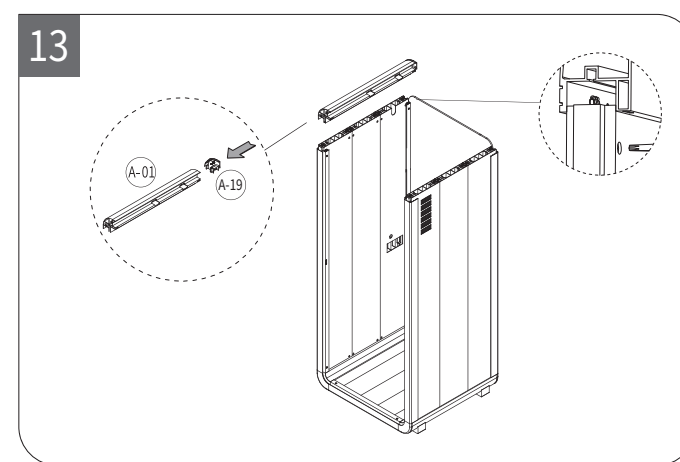
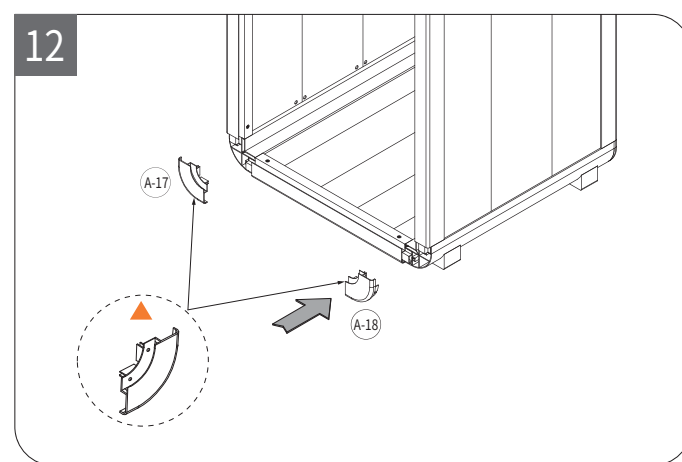
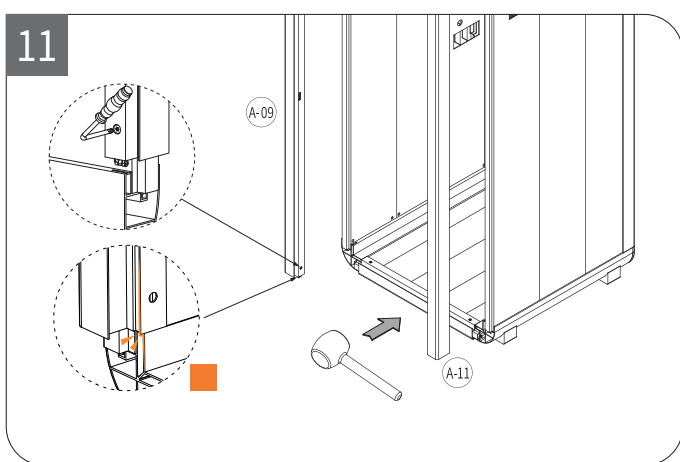
Code	Description	Qty.	Preview
G-01	Silicone Seal Strip	1	
G-10	D-shaped Rubber Seal(1)	1	

H-00 Accessory

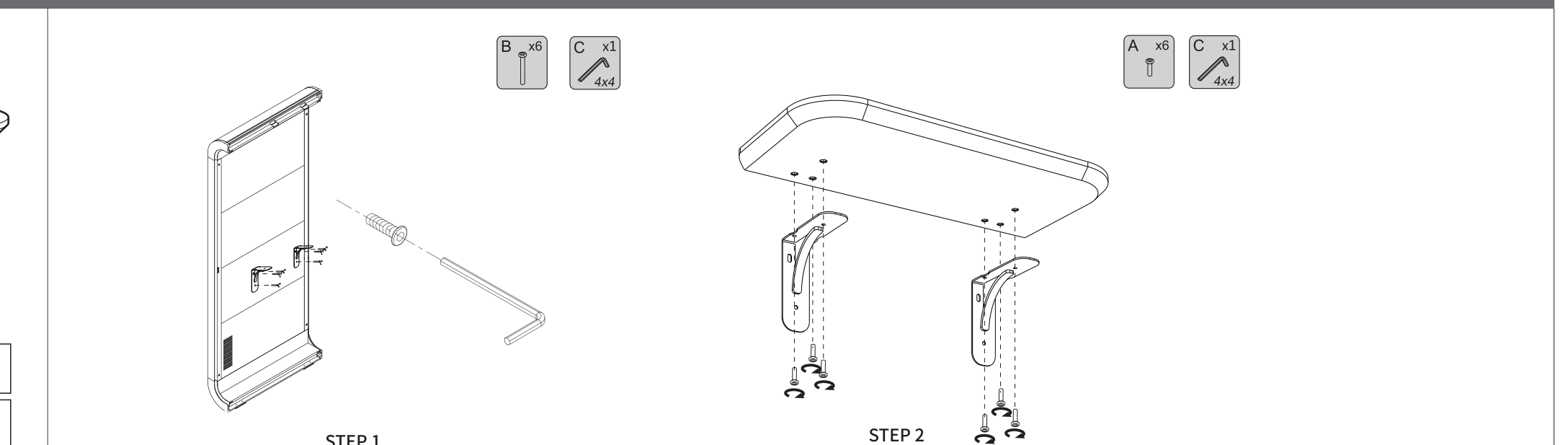
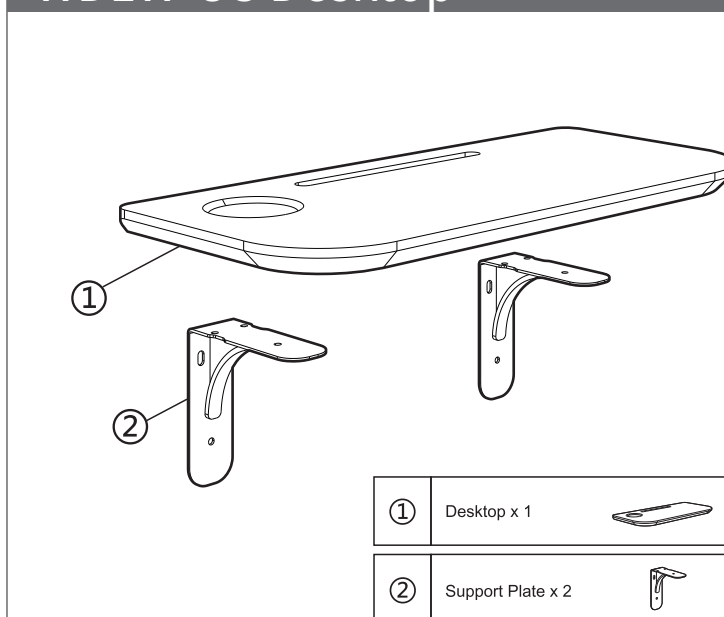
Code	Description	Qty.	Preview
H-01	Power Cord	1	
H-02	Screw Hole Sticker	16	
H-03	Safety Hammer	1	
H-05	Wire Hole Cover	1	
H-07	SR-S: EVA Sticker	4	
H-08	Acoustic Panel Hole Cover	10	

ASSEMBLY INSTRUCTIONS





WD1W-US Desktop



CAUTIONS

- Warning**
- Do not use any electronics exceeding 1000W in case of overload.
 - Do not use the product if the ventilation channels are blocked, keep the ventilation channels free from foreign objects and debris.
 - Protect all electric hardware from damage, which could cause electrical leakage.
 - Do not modify the product in case of a short circuit.
 - Do not scratch glass with any sharp object.
 - Do not smoke or light fires in the pod.
 - Always set the caster to the non-moving state.
 - Disconnect the power cord from the power outlet before starting any cleaning, maintenance, or disassembly procedures.
 - Do not use the product if the ventilation is not functioning.
 - Do not climb on top of the product or place any load on the top of the product.
 - Do not use this product in an environment with oxygen concentration lower than 20%.
 - Do not slam the door.
 - Do not use this product outdoors.

- Maintenance & Care**
- Please contact authorized personnel for repairing, don't operate without official instruction.
 - Do not put anything heavier than 10kg on the desk.
 - Cut off the power immediately if any malfunction occurs.
- Problem & Solution**
- In case of no power from the power outlets and the fan or lamp doesn't work.
- Make sure the power cord is plugged in properly.
 - Check if the fuse is burnt out.
 - Check that the wire terminal is firmly connected to the wire following the correct label.

Recycling and Disposal

This product cannot be disposed of as household waste. To prevent damage to the environment, this product should be recycled. Please use the relevant recycling systems available to you or contact the distributor or manufacturer for recycling assistance.