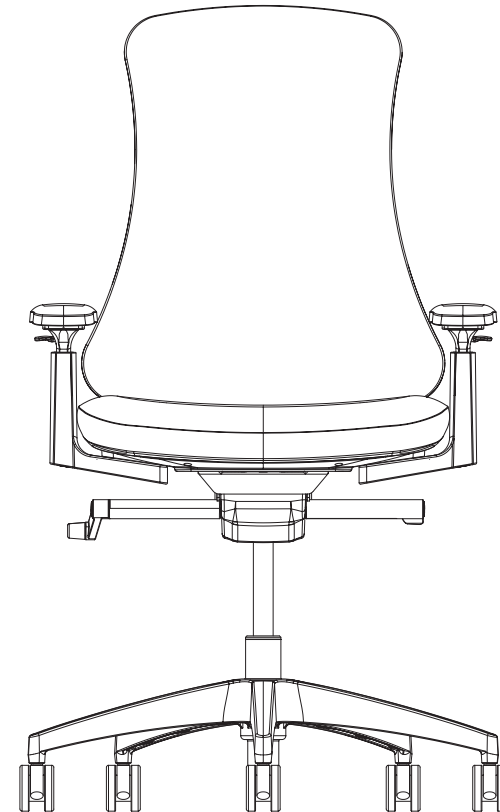


User Manual

Item No. Sheer








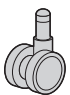


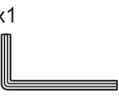


Ergonomic Chair



INSTRUCTIONS – KEEP FOR FUTURE REFERENCE

Assembly Instructions

BEFORE ASSEMBLING THIS PRODUCT, PLEASE READ THIS INSTRUCTIONS CAREFULLY

① x1 	② x1 	③ x1 	④ x1 
⑤ x1 	⑥ x1 	⑦ x1 	⑧ x5 
⑨ x3  M8×34	⑩ x4  M8×55	⑪ x1 	

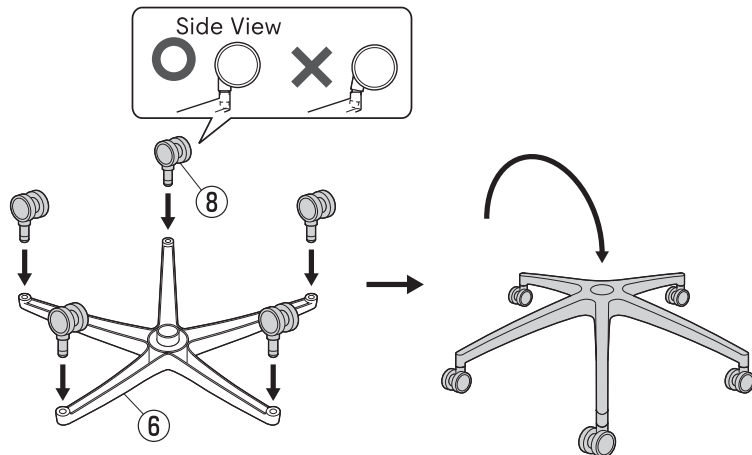
If you purchased the headrest and lumbar support, please check for the following parts.

⑬ x1 	⑭ x1 
---	---

1 Install the Wheels

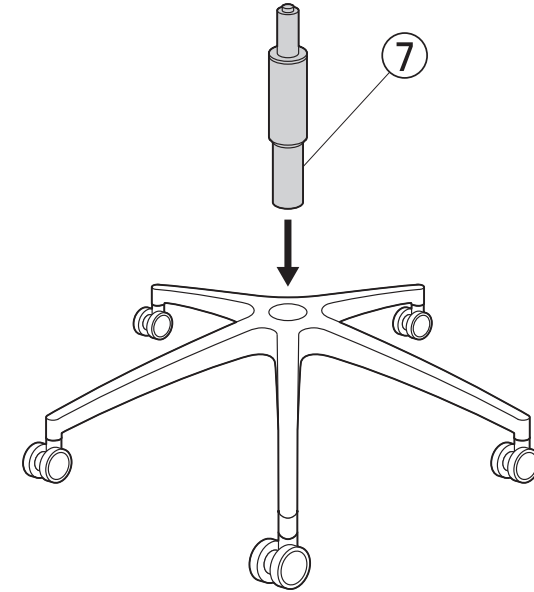
Insert the wheels (8) into the base (6).

Tip: Ensure each wheel is securely pushed into the leg base.



2 Insert the Gas Lift

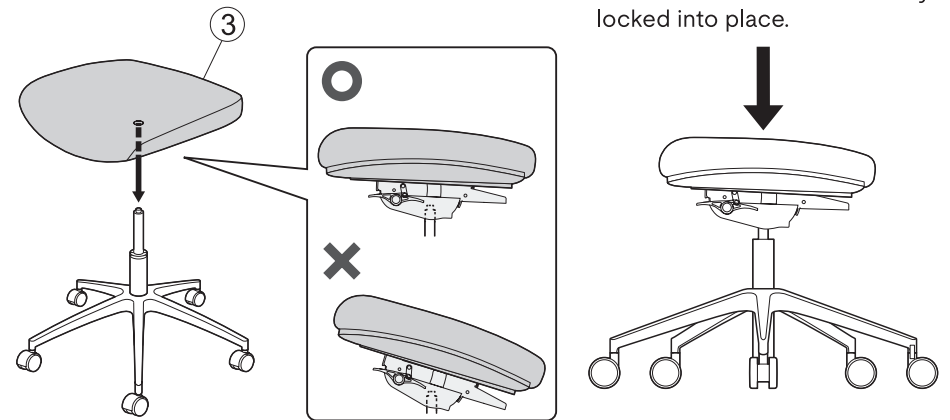
Place the gas lift (7) into the center of the base.



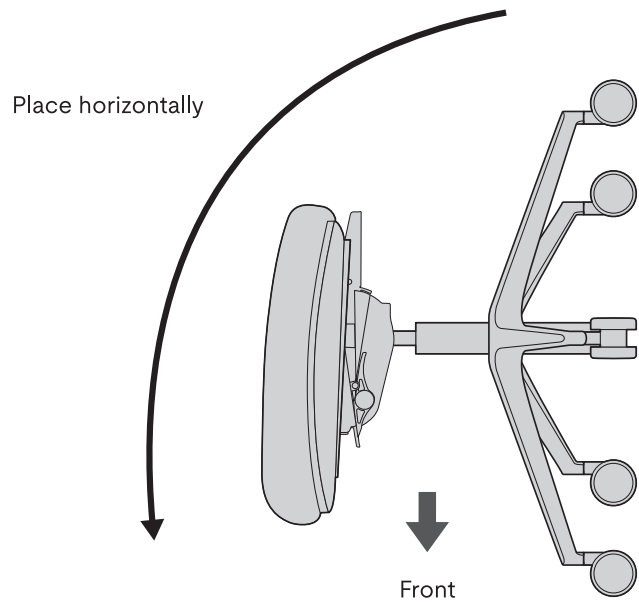
3 Insert the Gas Lift into the Seat

Insert the gas lift (7) into the seat (3).

Press down on the seat cushion to ensure it is securely locked into place.

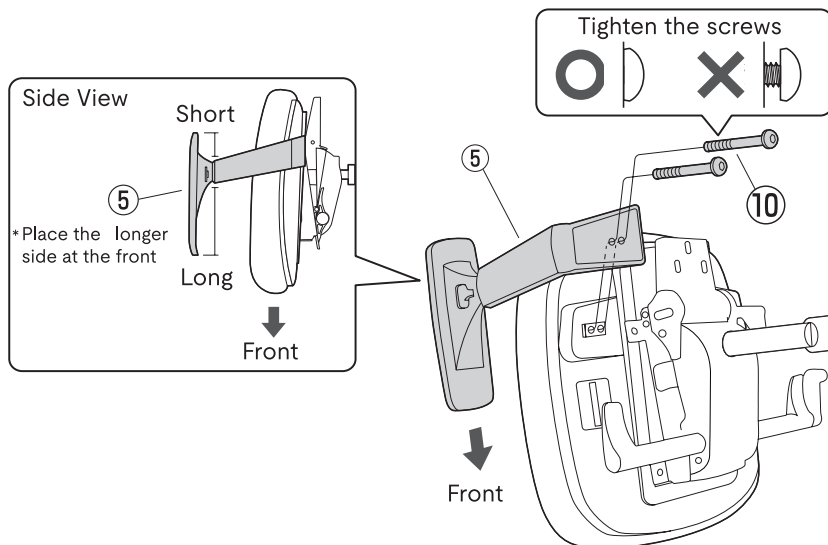


4 Adjust the Seat Position



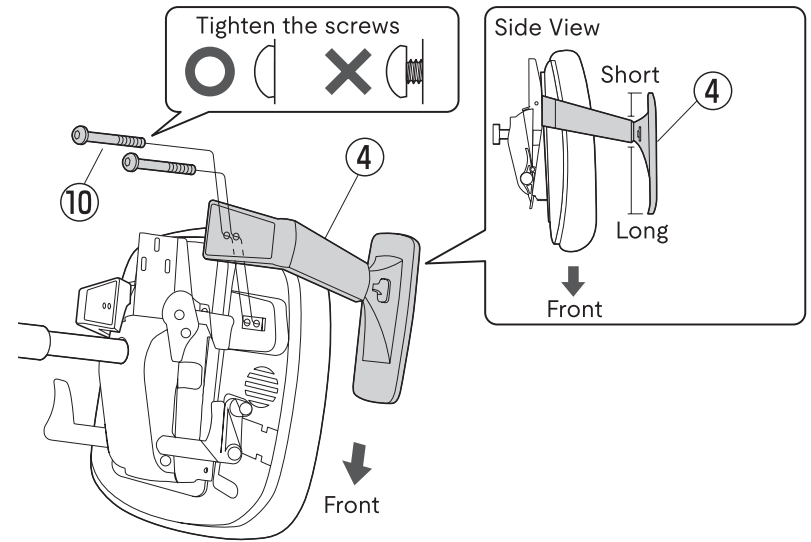
5 Attach the Left Armrests

Use screws (Type 10) and the Allen wrench (11) to attach the left armrests (5).



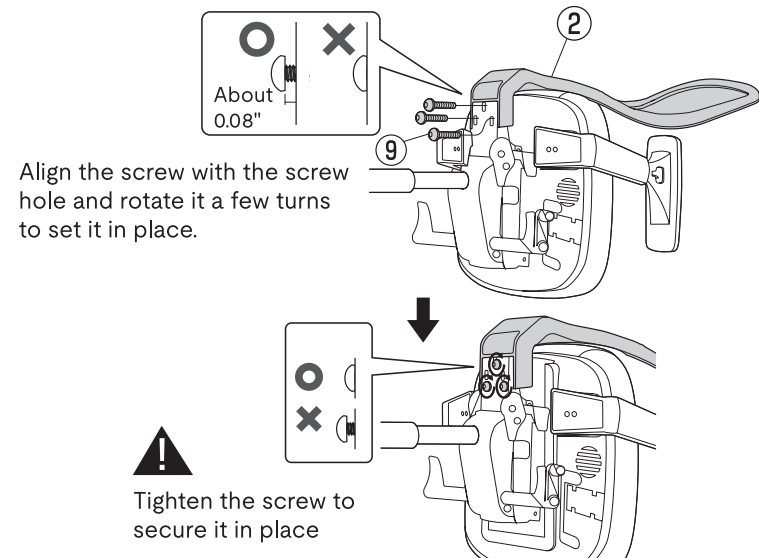
6 Attach the Right Armrests

Use screws (Type 10) and the Allen wrench (11) to attach the right armrests (4).



7 Install the Backrest

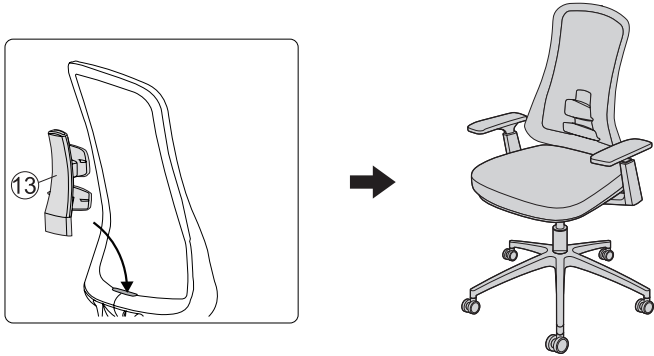
Use 3 screws (9) and the Allen wrench (11) to attach the backrest (2) to the seat (3).



If you purchased the lumbar support, please follow the steps below to install it:

8 Insert the Lumbar Support

Insert the lumbar support (14) into the backrest (2).

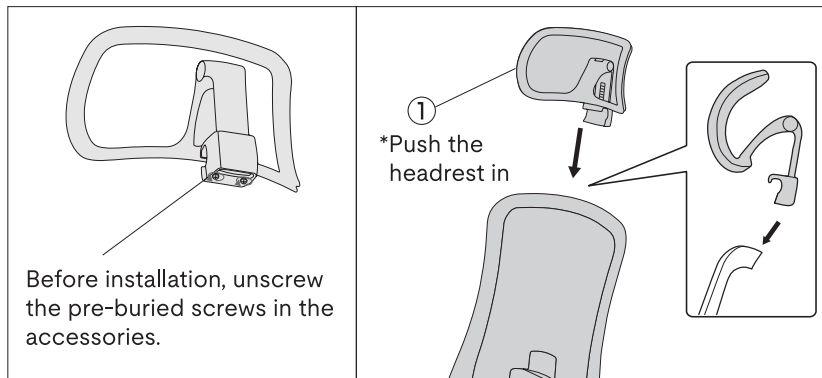


Note: If you did not purchase the lumbar support (13): Install the plug (1) in the lumbar support area to prevent dust from entering.
If you purchased the lumbar support: The plug can be stored separately.

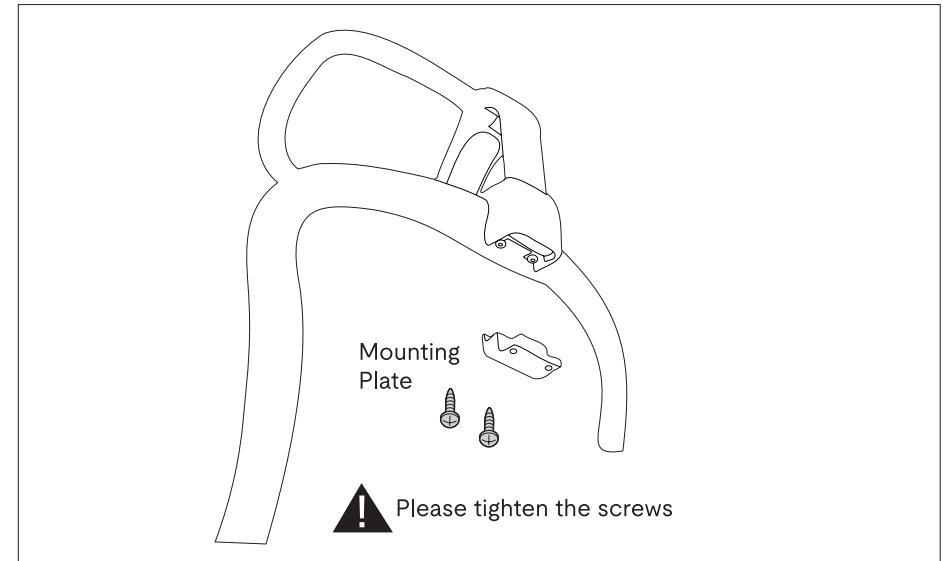
If you purchased the headrest, please follow the steps below to install it:

9 Attach the Headrest

1. Before installation, unscrew the pre-buried screws in the accessories.
2. Insert the headrest (14) into the top of the backrest (2).



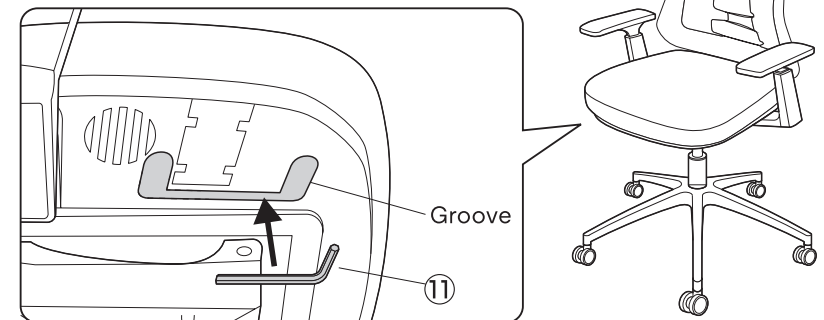
3. Align the headrest (14) with the mounting holes on the backrest. Secure it in place using an Allen wrench (11).



Assembly Complete



Store the hex wrench in the recessed area on the back of the seat



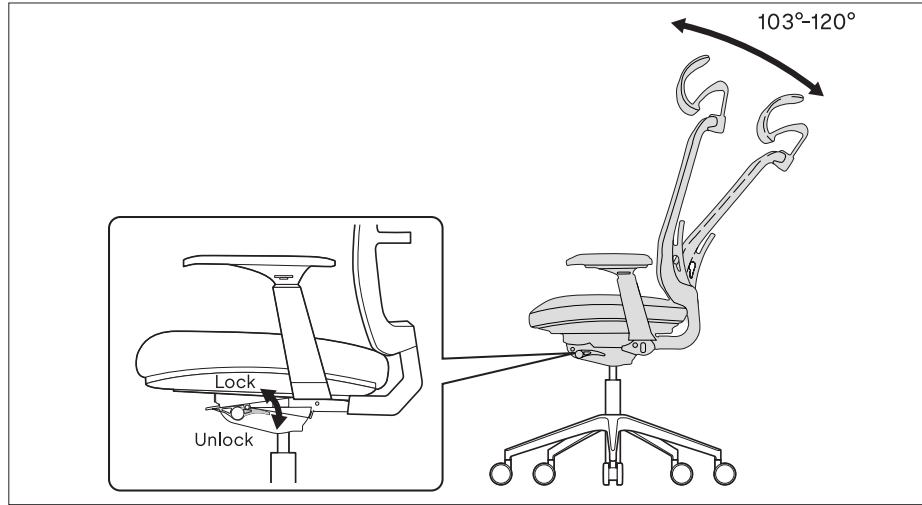
Function Introduction

Backrest Recline Adjustemt

4-Positions Lockable

·Located on the lower front-left of the seat.

·Rotate downward to unlock and rock freely, rotate upward to lock the backrest.

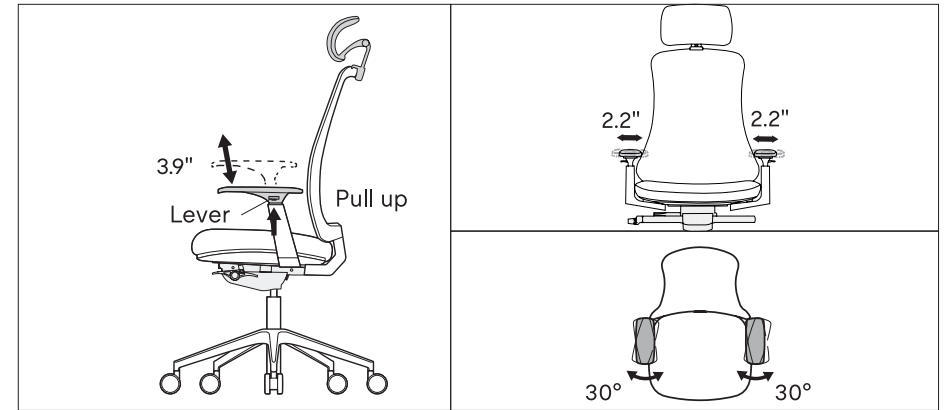


Armrests Adjustments

Height: Press the button under the armrest to raise or lower it. Release to lock in place.

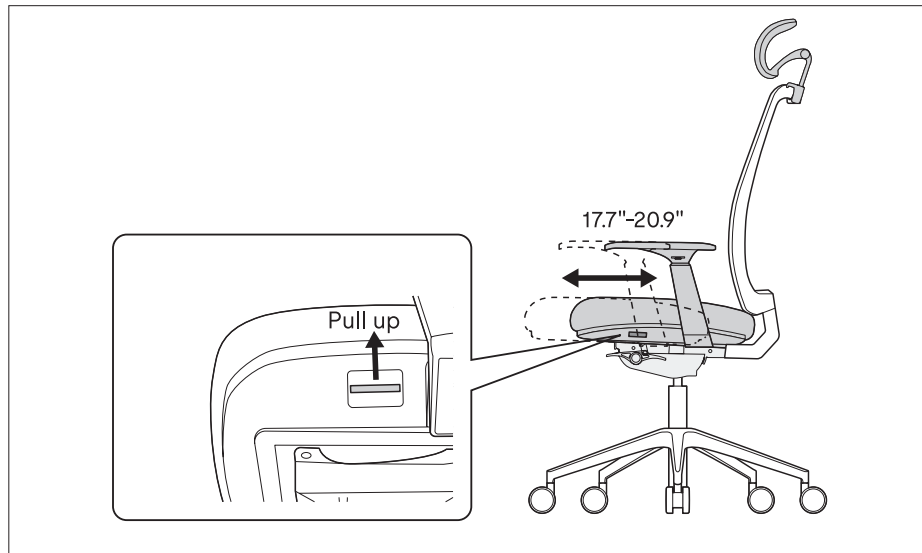
Depth: Slide the armrest pad forward or backward to adjust.

Rotation: Rotate the armrest pad left or right to a desired angle.



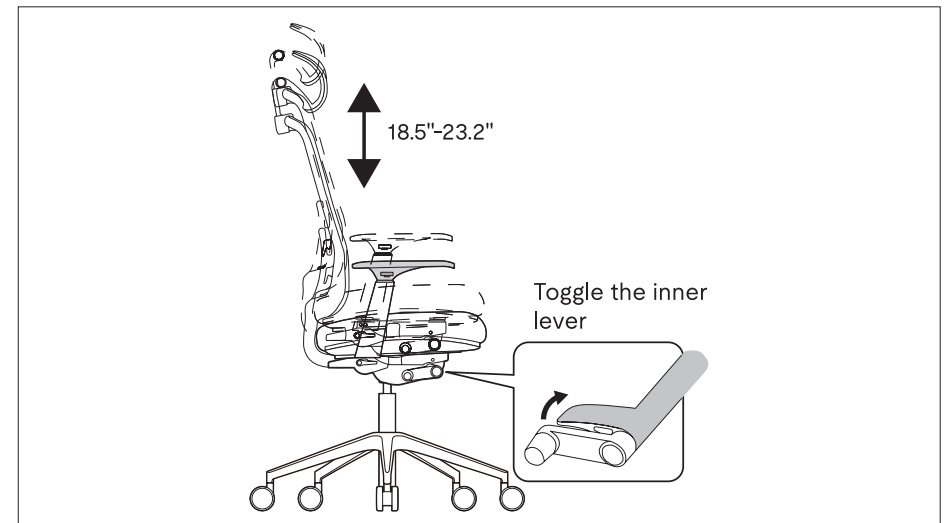
Seat Depth Adjustment

Pull the lever on the back of the seat to adjust the seat depth

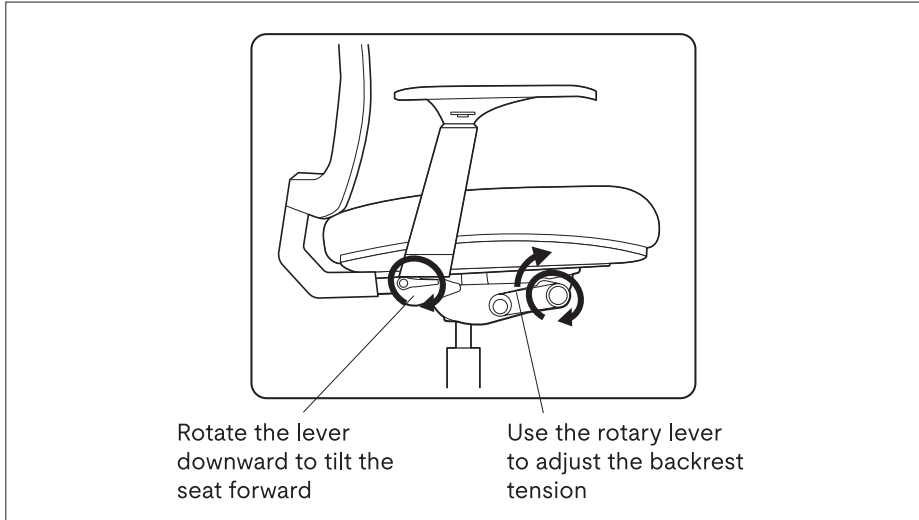


Seat Height Adjustment

Pull up the lever to adjust the seat height



Chair Base Control

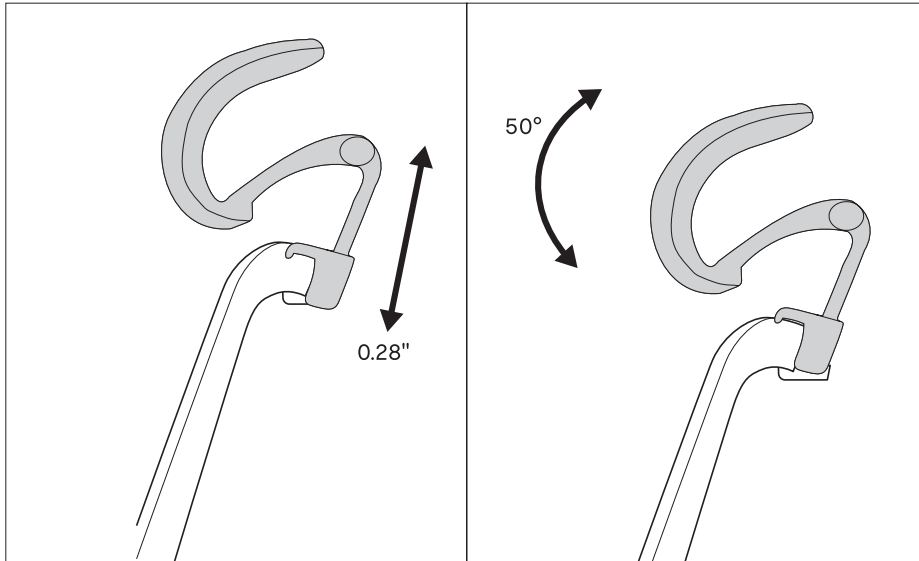


If you purchased the headrest, please follow the step below to adjust it:

Headrest Adjustments

Height: Push the headrest upward to raise it or downward to lower it.

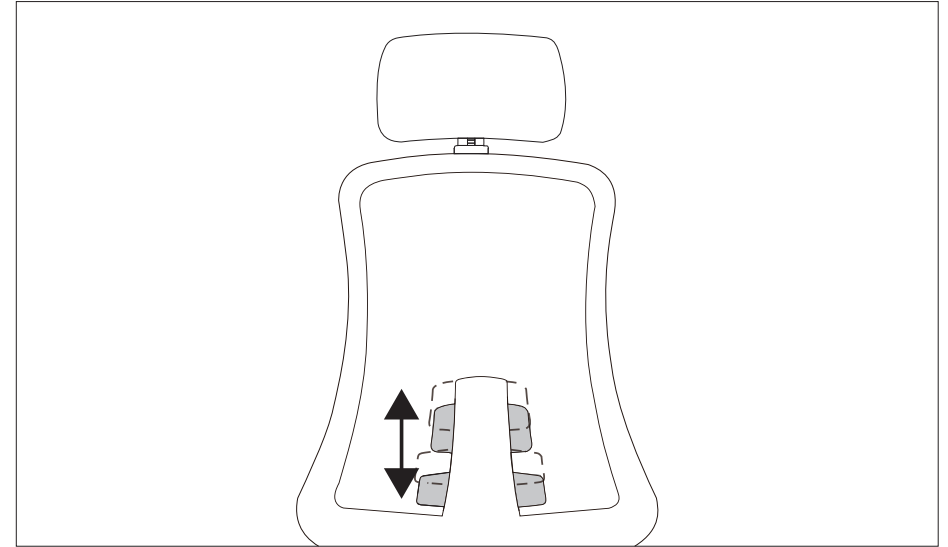
Fine Angle: Hold the headrest pad and tilt it as needed.



If you purchased the lumbar support, please follow the step below to adjust it:

Lumbar Support Adjustment

Lift to raise or push down to lower the lumbar support.



Limited Warranty

Safety Instructions

1. Do not use on slippery surfaces. Ensure the product is used on a stable, non-slip surface.
2. Avoid placing drinks on the product. Spills can cause discoloration or damage to the surface material. Wipe up any moisture immediately to prevent staining.
3. Do not sit on the product with more than one person at a time. This can lead to instability and potential injury.
4. Regularly check for any loose parts or damage before use. Do not use if any parts are missing or if the product is in poor condition.
5. Be cautious of moving parts. Keep hands and feet away from moving mechanisms to prevent injury.
6. Do not stand on the seat or armrests. This can cause the product to tip over and result in injury.
7. Read the instruction manual thoroughly. Understand the content and usage methods before operating the product.
8. If any issues arise during use, stop using the product immediately. Contact the retailer where you purchased the product for assistance.

Care Instructions for Long-Term Non-Use

1. Avoid placing the product in direct sunlight or in areas with high humidity or extreme dryness. These conditions can cause the product to warp or crack.
2. Regularly inspect the product for any signs of wear or damage. Address any issues promptly to maintain the product's longevity.

Remedies

1. We will replace at no charge any defective parts, or at its option, any product or part that is defective due to improper workmanship and/or materials under normal conditions of use.
2. If a replacement is not feasible or cannot be completed promptly, We may refund the purchase price upon return of the product.
3. For defective products, We will provide a replacement shipped at no cost within the continental United States via FedEx Ground. Expedited shipping is available at the customer's expense. International shipping costs are the customer's responsibility.

Limited Warranty

What is Not Covered

1. Issues not resulting from material or workmanship defects.
2. Damage from normal wear and tear, improper installation, maintenance, misuse, abuse, negligence, accidents, or alterations.
3. Accessories, connected materials, and products not manufactured by us.
4. Damage from failure to follow instructions and guidelines for the product's intended use.
5. The warranty is void if the product is returned with removed, damaged, or tampered labels, or if there are any alterations.

How to File a Claim

1. To benefit from the limited warranty, claims must comply with the warranty terms and follow the proper return procedure.

Implied Warranties and Limitation of Damages

Except where prohibited by law, all implied warranties are limited to the duration of this warranty. We are not liable for incidental, indirect, special, or consequential damages, even if advised of the possibility.

Governing Law

This warranty is governed by the laws of California, USA, without regard to conflict of laws principles.

How State Law Applies

This warranty provides specific legal rights, and you may have additional rights that vary by state.